

Working with ease...

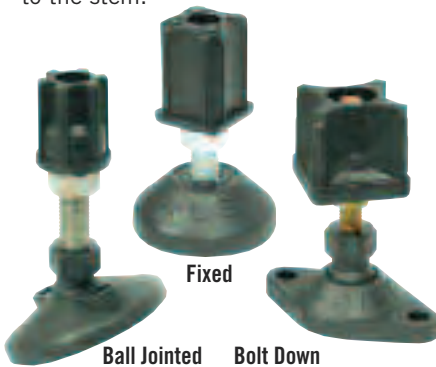
Adjustable Feet

A-Justa-Foot

A-JUSTA-FOOT is a multi-adjustable pedestal foot, ideal for industry, commercial, workshop or food industry applications.

A-Justa-Foot is also available in a fixed stem (non-pivoting) in some sizes and longer stem versions can be supplied where more adjustment is required.

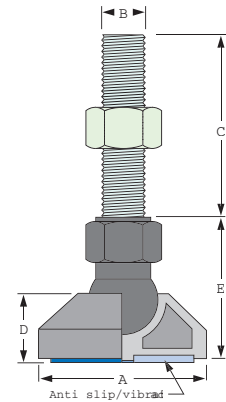
- Special rubber insert in the base helps to absorb vibration and means your machinery will stay exactly where you put it.
- For additional security when required, bolt down feet (pads) can be attached to the stem.



Ball Jointed A-Justa-Foot

Code Mild Steel	Code Stainless Steel	Dim.A/ Thread	Load Rating kg
AF20/40/M8/60	-	40xM8	350kg
AF20/40/M10/60	AF21/40/M10/60	40xM10	500kg
AF20/60/M12/65	AF21/60/M12/65	60xM12	800kg
AF20/60/M16/65	AF21/60/M16/65	60xM16	1000kg
AF20/60/M16/150	-	60xM16	1000kg
-	AF21/60/M16/165	60xM16	1000kg
AF20/60/M20/100	AF21/60/M20/100	60xM20	1000kg
AF20/90/M12/65	AF21/90/M12/65	90xM12	800kg
AF20/90/M16/65	AF21/90/M16/65	90xM16	1000kg
AF20/90/M16/150	-	90xM16	1000kg
-	AF21/90/M16/165	90xM16	1000kg
AF20/90/M20/100	AF21/90/M20/100	90xM20	1000kg

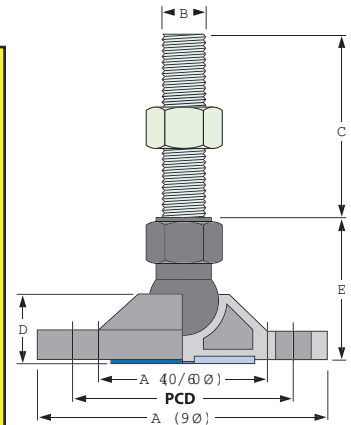
The last figure in the above codes is dimension "C"



Bolt Down A-Justa-Foot

Code Mild Steel	Code Stainless Steel	Dim.A/ Thread	Load Rating kg
AF30/40/M8/60*	-	40xM8	350kg
AF30/40/M10/60*	AF31/40/M10/60*	40xM10	500kg
AF30/60/M12/65	AF31/60/M12/65	60xM12	800kg
AF30/60/M16/150	-	60xM16	1000kg
AF30/60/M16/65	AF31/60/M16/65	60xM16	1000kg
-	AF31/60/M16/165	60xM16	1000kg
AF30/60/M20/100	AF31/60/M20/100	60xM20	1000kg
AF30/90/M12/65	AF31/90/M12/65	90xM12	800kg
AF30/90/M16/65	AF31/90/M16/65	90xM16	1000kg
AF30/90/M16/150	-	90xM16	1000kg
-	AF31/90/M16/165	90xM16	1000kg
AF30/90/M20/100	AF31/90/M20/100	90xM20	1000kg

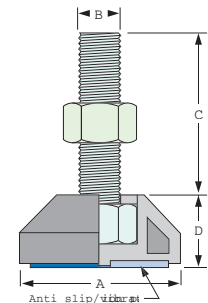
* Denotes also available with single hole flange
The last figure in the above codes is dimension "C"



Fixed A-Justa-Foot

Code Mild Steel	Code Stainless Steel	Dim.A/ Thread	Load Rating kg
AF40/40/M8/35	AF41/40/M8/35	40xM8	350kg
AF40/40/M10/35	AF41/40/M10/35	40xM10	350kg
AF40/60/M12/60	AF41/60/M12/60	60xM12	350kg

The last figure in the above codes is dimension "C"



Square Threaded Tube Adaptor

Code Mild Steel	Code Stainless Steel	Dim.A/ Thread	Load Rating kg
AF10/25/M10	AF11/25/M10	25xM10	250kg
AF10/25/M12	AF11/25/M12	25xM12	250kg
AF10/32/M10	AF11/32/M10	32xM10	350kg
AF10/32/M12	AF11/32/M12	32xM12	350kg
AF10/32/M16	AF11/32/M16	32xM16	350kg
AF10/38/M10	AF11/38/M10	38xM10	500kg
AF10/38/M12	AF11/38/M12	38xM12	500kg
AF10/38/M16	AF11/38/M16	38xM16	500kg
AF10/51/M12	AF11/51/M12	51xM12	750kg
AF10/51/M16	AF11/51/M16	51xM16	750kg



Round Threaded Tube Adaptor

Code Stainless Steel	Dim.A/ Thread	Load Rating kg
AF81/32/M10	32xM10	250kg
AF81/32/M12	32xM12	250kg
AF81/38/M10	38xM10	300kg
AF81/38/M12	38xM12	300kg
AF81/38/M16	38xM16	300kg
AF81/51/M12	51xM12	450kg
AF81/51/M16	51xM16	450kg

