



 **PORTAGANTRY**<sup>®</sup>

Our top quality and highly durable **PORTAGANTRY** is lightweight and extremely strong. This portable system can be manually assembled, using just four bolts and can safely lift up to 5000kg, making it the ideal system for multiple applications.

## Key features

- › EN795:2012 Certified
- › ATEX Certified
- › Can support goods and personnel lifting;
  - › Goods WLL of up to 5000kg
  - › Personnel WLL of up to 2500kg
- › Suitable for up to 5 persons for fall protection applications
- › Beams and A-Frames can be interchanged
- › Ergonomic 360° swivel-locking castors, as standard
- › Ease of assembly including height and span adjustment
- › Anodised for increased corrosion resistance
- › Engineered designs and bespoke sections reduce weight, providing lightweight portability

## Configurations

The **PORTAGANTRY** is available in a range of configurations and can be customised in line with specific requirements (subject to WLL rating).

The **PORTAGANTRY** has the ability to be moved under load. (Subject to detailed instruction and supervision by a competent person).



**500-5000KG  
WLL**



**1-4 PERSON  
ASSEMBLY**



**92-294KG  
FLAT PACK**



**EN795  
CERTIFIED**



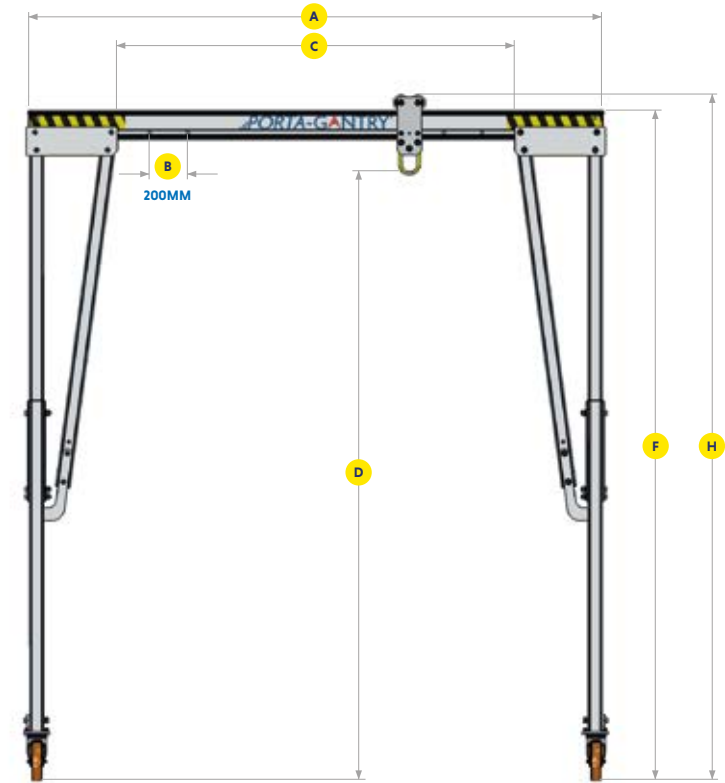
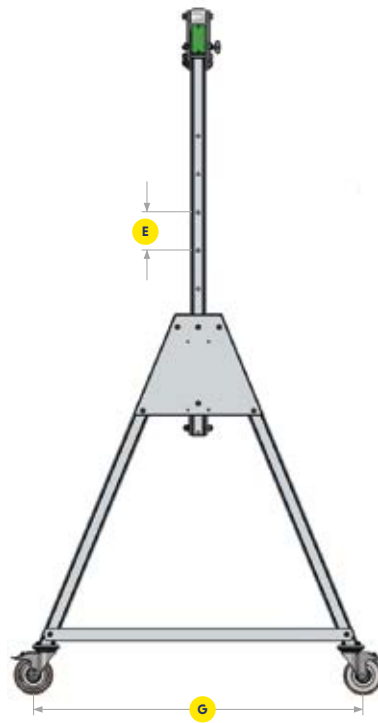
**ATEX  
CERTIFIED**

## Features & Performance

	2000	3000	5000
<b>Accreditations, Certifications &amp; Standards</b>			
EN795:2012	✓	✓	✓
PD CEN / TS16415:2013	✓	✓	✓
ANSI Z359.18-17	✓	✓	✓
AS/NZS 5532:2013	✓	✓	✓
ATEX Certified [Zone 2]	✓	✓	✓
ATEX Certified [Zone 1]	Optional	Optional	×
IRATA	✓	✓	✓
<b>Capacity</b>			
Maximum Goods Lifting [kg]	2000	3000	5000
Maximum Personnel Lifting [kg]	1000	1500	2500
Fall Arrest [Persons]	5	5	5
<b>Dimensions</b>			
Minimum Height of Lift [mm]	1605	1660	2181
Maximum Height of Lift [mm]	5829	5527	5000
Minimum Available Span [mm]	2500	2500	2500
Maximum Available Span [mm]	8400	8400	5500
<b>Trolley Options</b>			
Standard	✓	✓	✓
Gated	✓	✓	×
Close Coupled	✓	✓	×
Gear Driven	✓	×	×
Integrated Hoist	✓	×	×
<b>Standard Features</b>			
Ratchet Height Adjustment	✓	✓	×
Gear Height Adjustment	×	×	✓
Mechanical aid Assembly	×	×	✓
<b>Optional Extras</b>			
Lobed Cheek Plates	✓	✓	✓
Winch Upgrade	✓	✓	✓
Wind Up Jack legs	✓	✓	✓
Trolley Rope Control System	✓	✓	✓
Festoon System	✓	✓	✓
Jointed Beam	×	×	×
<b>Finishes</b>			
Anodised	✓	✓	✓
316SS Fixings	Optional	Optional	Optional
Marine Spec	Optional	Optional	×

# PORTAGANTRY®

- A** Beam length
- B** Beam adjustment
- C** Clear operating span
- D** Height to lifting eye
- E** Height increment
- F** Height to top of beam
- G** Width
- H** Height to top of roller



Standard Beam Length A[mm] (Clear Operating Span C = A - 920 mm)

A [mm]	2500	3000	3920	4570	5500	6000	8400	9000
C [mm]	1580	2080	3000	3650	4580	5080	7480	8080
<b>500</b>	19	22	29	34	41	44	62	66
<b>1000</b>	19	22	29	34	41	44	79	84
<b>2000</b>	19	22	29	34	52	93	130	x
<b>3000</b>	19	22	37	43	85	93	130	x
<b>5000</b>	39	47	61	71	85	x	x	x

WLL Rating [kg]

Weight of Beams [kg]

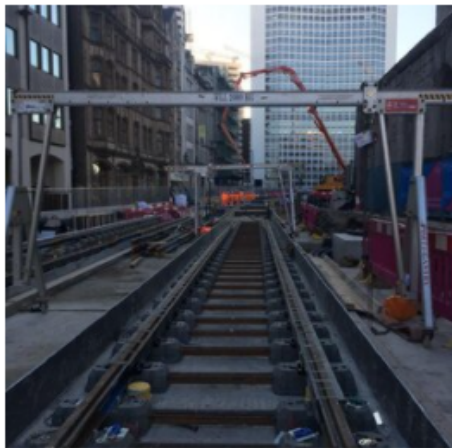
To ensure stability of the structure, the operating span of the beam must be equal to or greater than the distance between the castors on the A-frame

## Dimensions [mm]

WLL [kg]	Frame size [Product Code]	DMax Height to lifting eye	E Height increment	DMin Height to lifting eye	F Height to top of beam	HMax Height to top of roller	HMin Height to top of roller	G Width	A-Frame weight [kg] (approx)	Trolley roller size	Castor Diam
2000	LPGF2000-S	2355	5 x 150	1605	2675	2757	2007	1212	32	82	150
	LPGF2000-I	3188	5 x 200	2188	3499	3581	2581	1726	45	82	200
	LPGF2000-T	4079	6 x 200	2879	4399	4481	3281	2011	50	82	200
3000	LPGF3000-I	3188	5 x 200	2188	3499	3581	2581	1726	66	82	200
	LPGF3000-T	4079	6 x 200	2879	4399	4481	3281	2011	72	82	200
5000	LPGF5000-I	3181	5 x 200	2181	3592	3717	2717	1736	88*	125	200
	LPGF5000-T	4049	6 x 200	2849	4487	4612	3412	2021	99*	125	200

S versions also available as custom systems | WLL 5000kg dimensions systems are shown using the deeper 'D' section beam

Dimensions use standard Master Link Trolley, other options available to increase resulting height of lift (HoL) and to assist with load movement. \*Weight includes stabiliser legs



Australia Wide Sales & Service

sales@materialshandling.com.au | www.materialshandling.com.au | 1300 25 84 07

**MATERIALS**  
**Handling** Working with ease...  
 PTY LTD