

VERTICAL BALERS

MWP40 SPECIFICATIONS



BALER DIMENSIONS

Height	1.694 m
Width	0.718 m
Depth	0.630 m
Weight	140 kg
Transportation Height	1.40 m
Power Supply	240V 1 Phase
Motor	1.5kW 13A
Pressing Force	Up to 3.0 T
Noise Level	72 dB
Cycle Time	20 Seconds

BALE DIMENSIONS

Height	0.600 m
Width	0.535 m
Depth	0.460 m
Weight	Up to 40 kg

LOADING APERTURE SIZES

Height	0.490 m
Width	0.522 m

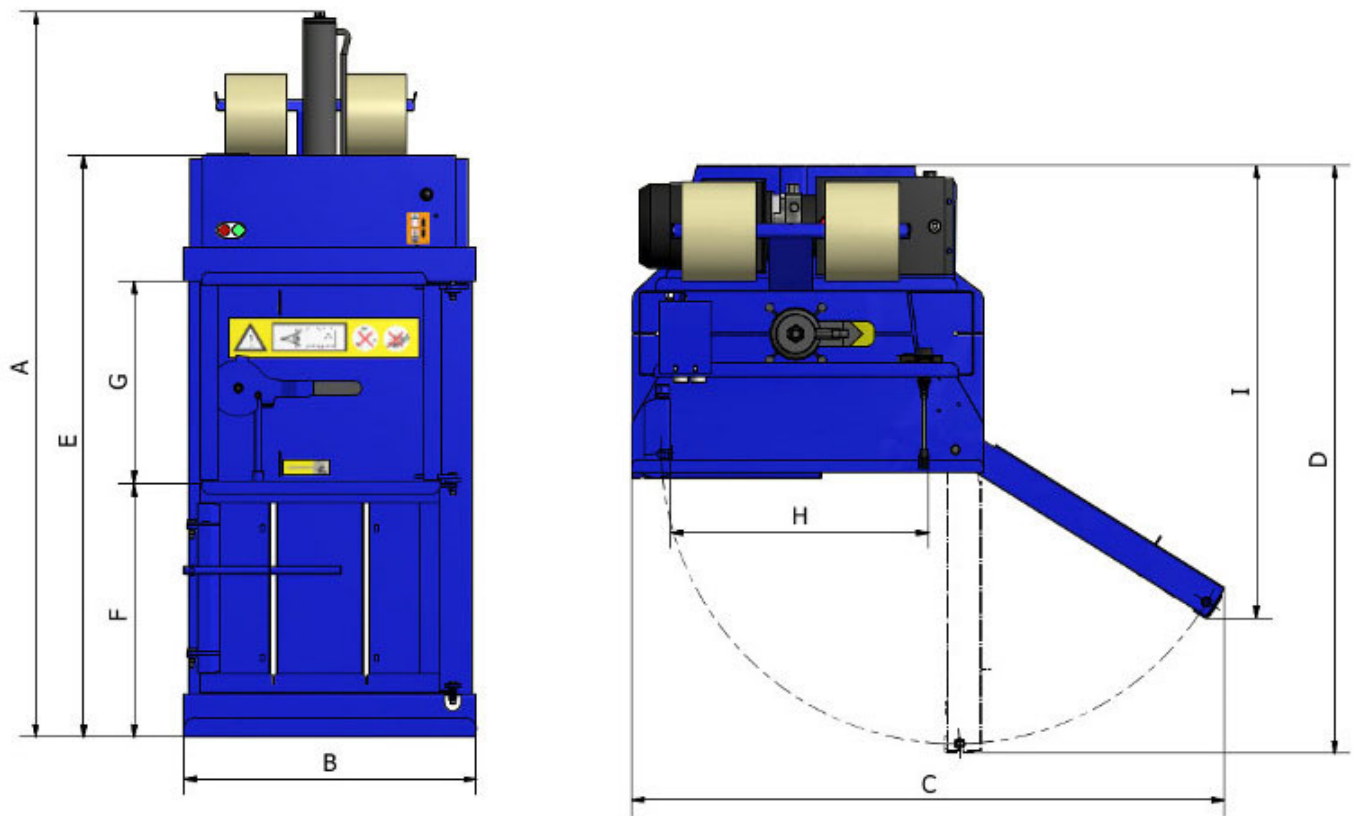
40 BALER FEATURES

- The smallest baler in the MACFAB range.
- Ideal for locations where space and height is restricted.
- Produces a very small compact bale.

OPTIONAL EXTRAS

- Available with 110 volts power supply.
- Available with 3-phase 380/400 volt power supply.
- Galvanised Finish.





A 1.694 m

B 0.718 m

C 1.119 m

D 1.186 m

E 1.409 m

F 0.614 m

G 0.490 m

H 0.522 m

I 0.913 m

Australia Wide Sales & Service

sales@materialshandling.com.au | www.materialshandling.com.au | 1300 25 84 07

MATERIALS
Handling *Working with ease.*
PTY LTD