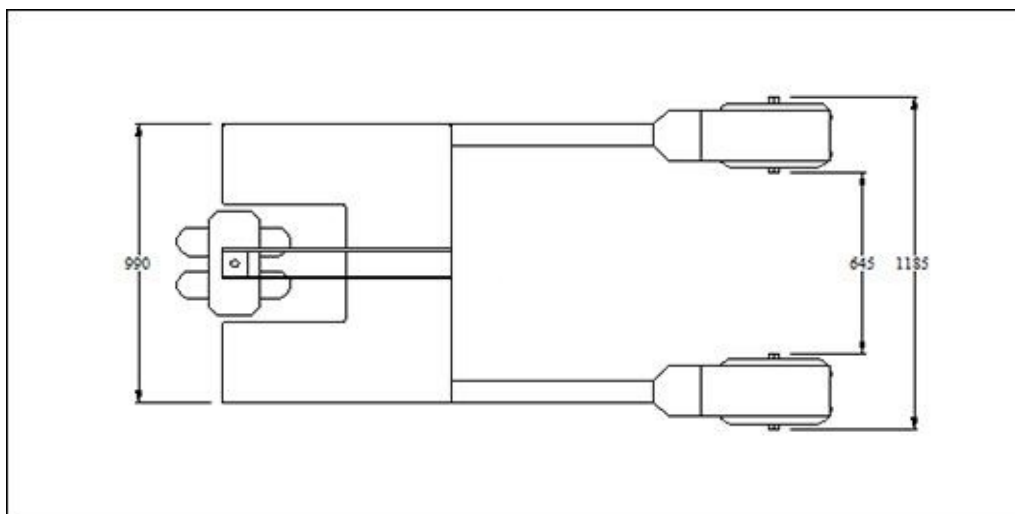
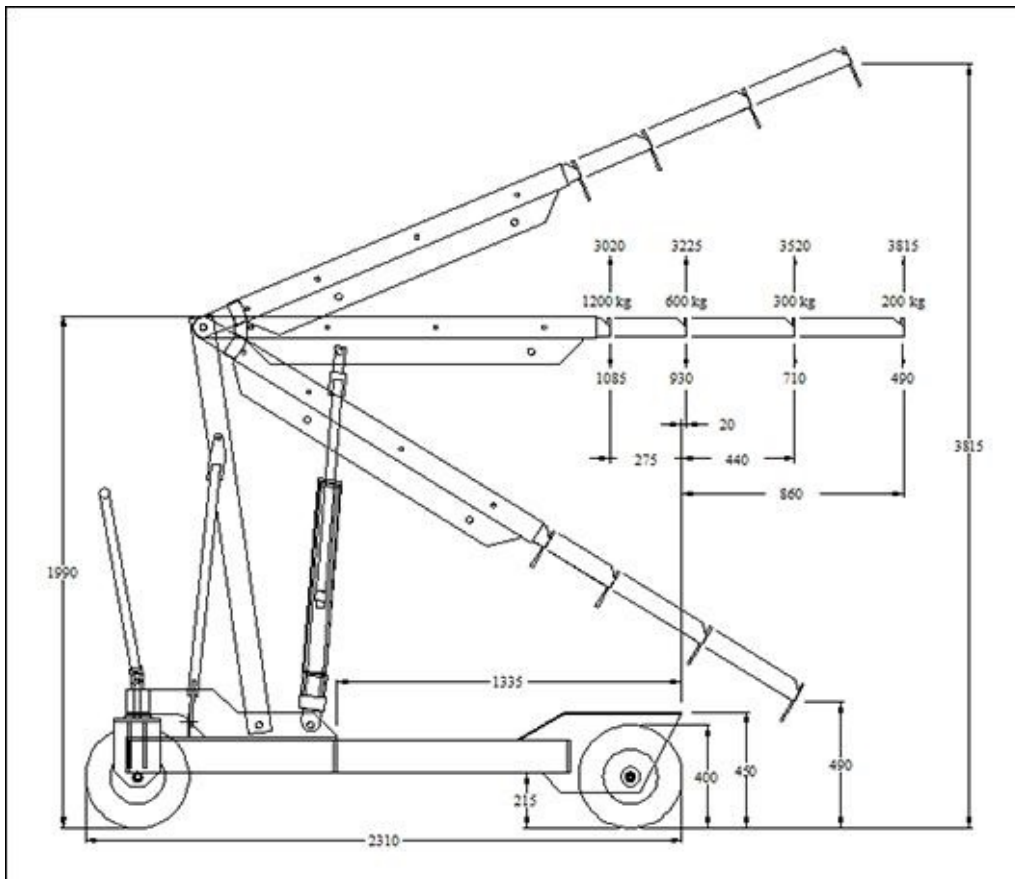


MOBILE WORKSHOP FLOOR CRANES MFH78P DRAWING AND SPECIFICATIONS



Heavy Duty 1000 kg capacity crane.
With double-acting hydraulic pump
Fitted with large diameter pneumatic wheels.
Dimensions +/- 10 mm.



Australia Wide Sales & Service

sales@materialshandling.com.au | www.materialshandling.com.au | 1300 25 84 07

MATERIALS
Handling PTY LTD *Working with ease.*