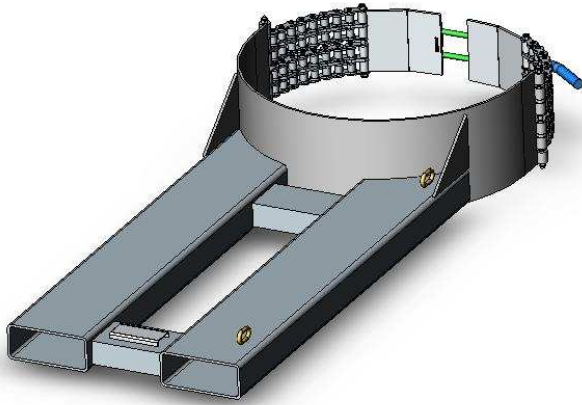


DRUM LIFTER DDL1000 SPECIFICATIONS



The type DDL1000 Drum Lifter would be considered the safest Drum Lifter available. This unit ensures 205 litre steel Drums are moved with 100% security. The Drum is quickly clamped into the support via the dual Chain Belly Strap & eccentric lock. A further safety catch prevents accidental release.

SPECIFICATIONS:

- Safe Working Load (SWL) - 1000kg
- Load Centre - 1160mm nominal
- Unit Weight - 60kg
- Pocket Size - 165 x 65mm
- Pocket Centres - 335mm
- HCG - 710mm
- VCG - 25mm

