

# CONSTRUCTION LADDER LIFT BROCHURE



Fast and easy installation without tools, the robust workmanship, the small footprint and the versatile application options of the Construction Lift have already been popular with craftspeople from all sectors for decades.

Special accessories enable virtually all types of materials to be transported upwards to the roof and into the building. Whether for bricklayers, interior fitters, roofers, tilers or floor installers, the Construction Lift has the right load handling devices for any construction material and any application.

The 30 m/min lifting speed is the optimum to suit the conditions at the construction sites. An AC power connection is sufficient to transport materials up to 250 kg. The load capacity depends on the design of the aluminium ladder sections, the inclination and the rail length.

Australia Wide Sales & Service

sales@materialshandling.com.au | www.materialshandling.com.au | 1300 25 84 07

**MATERIALS**  
**Handling** PTY LTD Working with ease™

250 kg Drive Unit  
250 Comfort



Technical data:



250 kg



19 m

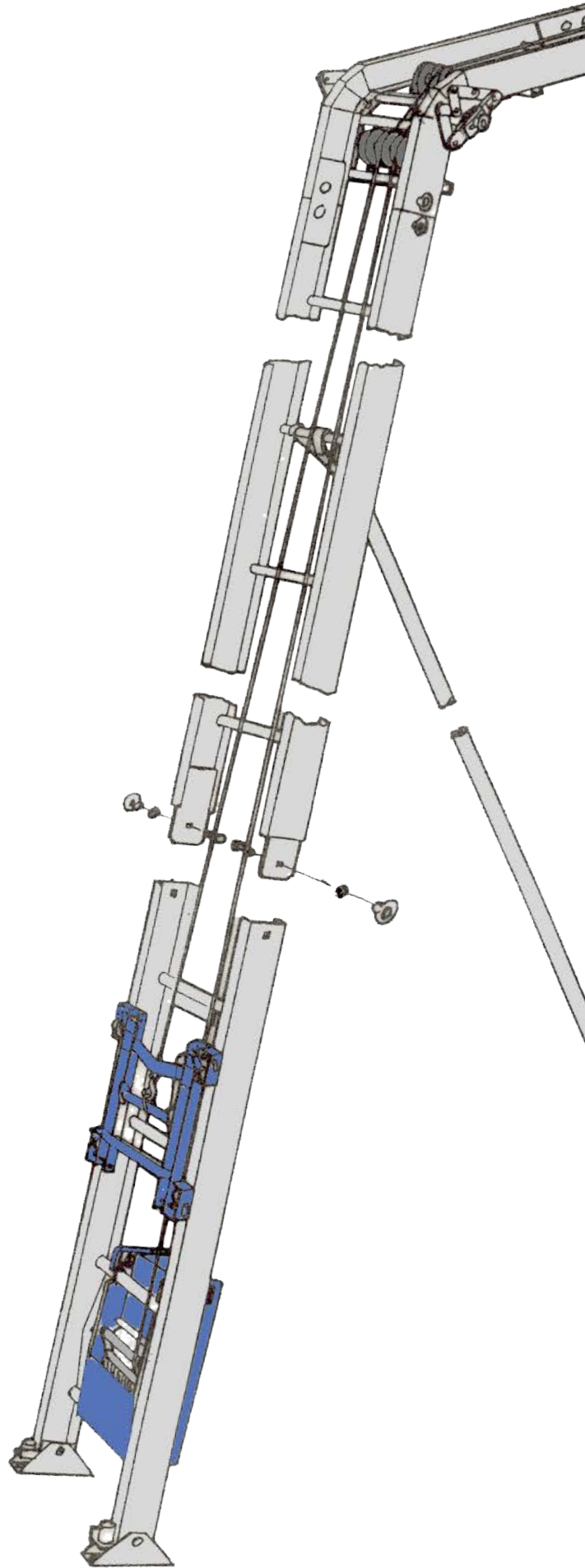


30 m/min



1.3 kW/240 V  
/50 Hz/16 A

110 V-version  
also available!



Australia Wide Sales & Service

sales@materialshandling.com.au | www.materialshandling.com.au | 1300 25 84 07

**MATERIALS**  
**Handling** PTY LTD *Working with ease.*

## Accessories/Load Carrying Devices:



Ladder section 2 m 250 kg  
Art. No. 02888



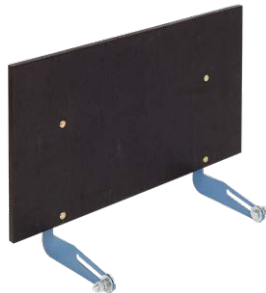
Ladder section 1 m 250 kg  
Art. No. 02889



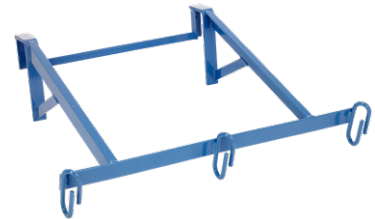
Ladder prop  
Art. No. 05643



General purpose platform  
Art. No. 02893



Front protector for general purpose platform  
Art. No. 02862



Bucket hanger  
Art. No. 02817



Vario platform  
Art. No. 02895



Rigid platform  
Art. No. 02253



Tile holder  
Art. No. 02860



Prop for sheet carrier  
Art. No. 02812



Tipping skip with tipping attachment  
Art. No. 02818



Sheet carrier  
Art. No. 02831

## Accessories/Load Carrying Devices:



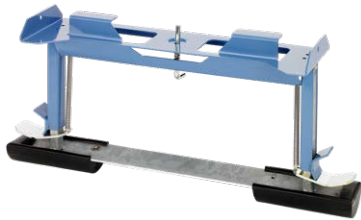
Angle Track Section  
Art. No. 02877



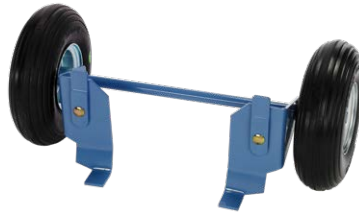
Angle Track Section  
Art. No. 02828



Roof Tile Batten Trolley  
Art. No. 02884



Roof Tie  
Art. No. 02826



Transport Axle  
Art. No. 02886



Wheeled Undercarriage  
Art. No. 02822

### MHCL Construction Package

Art. No.	Description	\$
1 x 02032	Base Unit	
4 x 02888	Ladder section 2 m	
1 x 02889	Ladder section 1 m	
1 x 02877	Angle track section	
1 x 02893	Gen. purp. platform	
1 x 02826	Roof Tie	