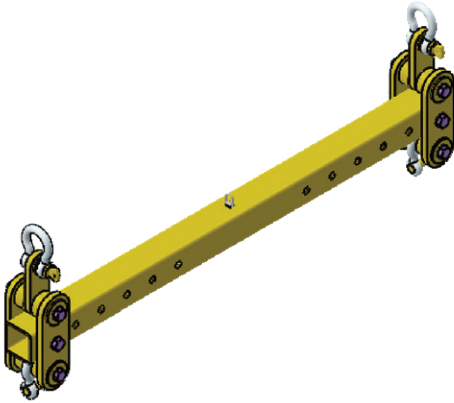


# SPREADER BEAM

## CSMP48X3.3 SPECIFICATIONS



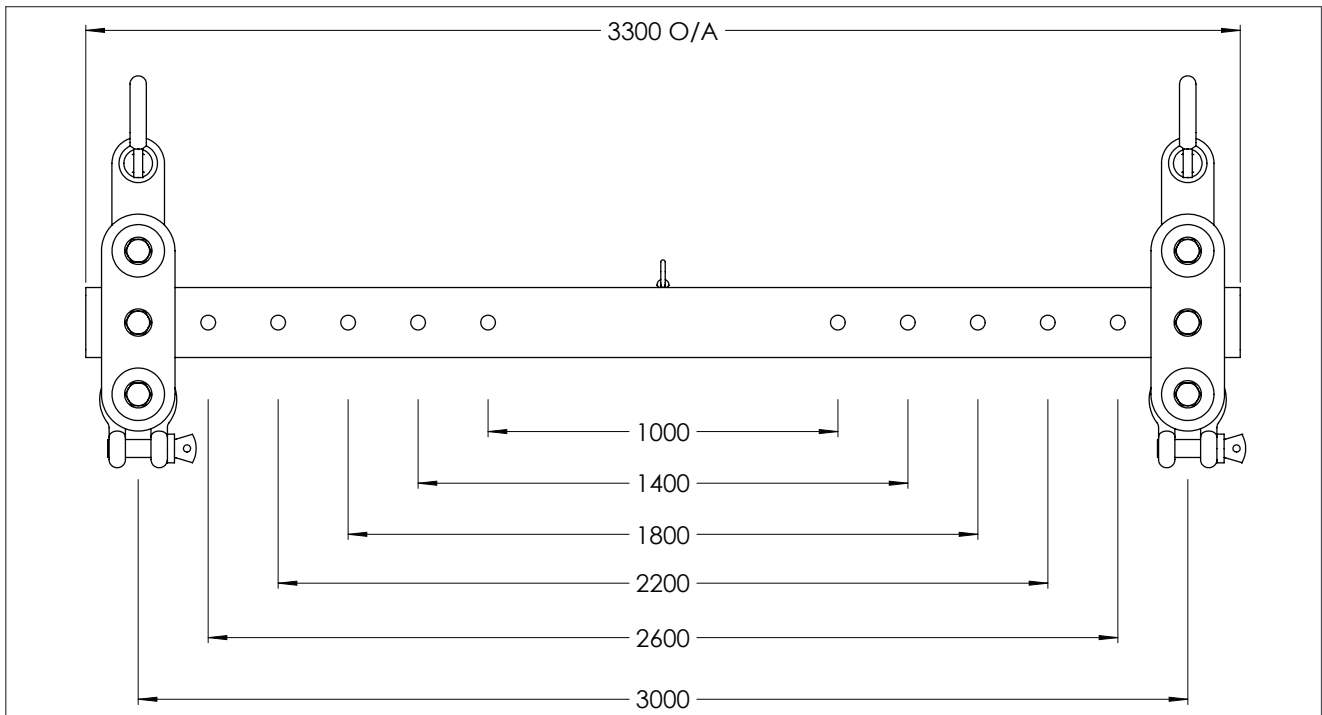
The CSMP48X3.3 Multi Position Spreader Bar is designed to suit lifting application required by overhead crane.

### Features:

- 48T multi position spreader bar
- 6 lifting positions ranging from 1-3m lift centres on a 3.3m length beam
- Also available in a 6m (CSMP48X6) or 8m (CSMP48X8) beam length models
- 20T (CSMP20) and 100T (CSMP100) capacity models also available
- Shackles supplied
- Other lengths and capacities available on request
- Certified to relevant Australian Standards
- Enamel paint finish



Working Load Limit (WLL)	48,000kg
Beam Length	3300mm
No. of Lift Positions	6
Unit Weight	520kg



NOTE: The working load limit is calculated on a 60° chain angle setup

Australia Wide Sales & Service

sales@materialshandling.com.au | www.materialshandling.com.au | 1300 65 00 35

**MATERIALS**  
**Handling** PTY LTD *Working with ease*