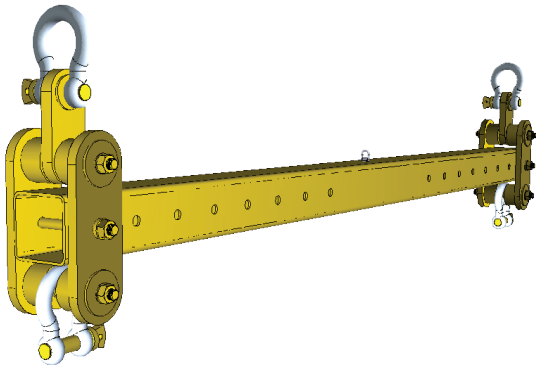


SPREADER BEAM

CSMP100X6 SPECIFICATIONS



The CSMP100X6 Multi Position Spreader Bar is designed to suit lifting application required by overhead crane.

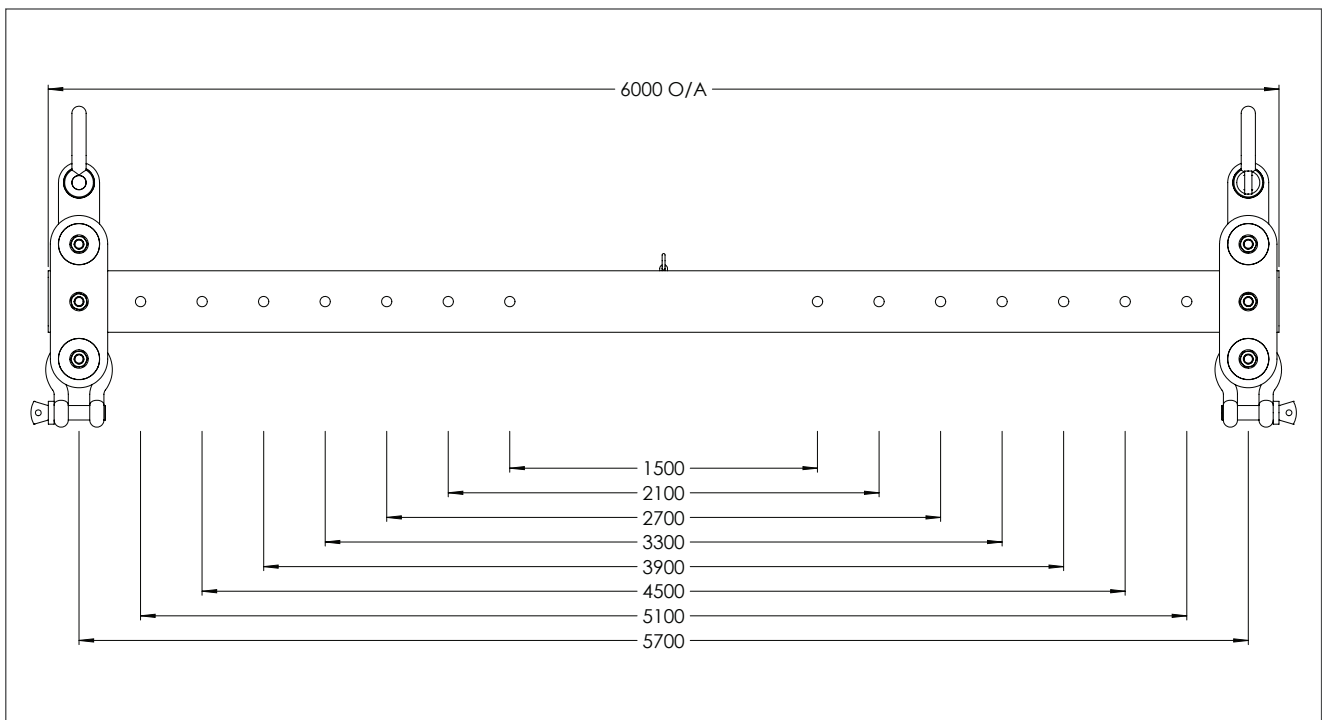
Features:

- 48T multi position spreader bar
- 8 lifting positions ranging from 1.5-5.7m lift centres on a 6m length beam
- Also available in 3.3m (CSMP100X3.3) or 8m (CSMP100X8) beam length models
- 20T (CSMP20) and 48T (CSMP48) capacity models also available
- Shackles supplied
- Other lengths and capacities available on request
- Certified to relevant Australian Standards
- Enamel paint finish



Type CSMP20 shown

Working Load Limit (WLL)	100,000kg
Beam Length	6000mm
No. of Lift Positions	8
Unit Weight	1525kg



NOTE: The working load limit is calculated on a 60° chain angle setup

Australia Wide Sales & Service

sales@materialshandling.com.au | www.materialshandling.com.au | 1300 65 00 35

MATERIALS
Handling PTY LTD *Working with ease.*