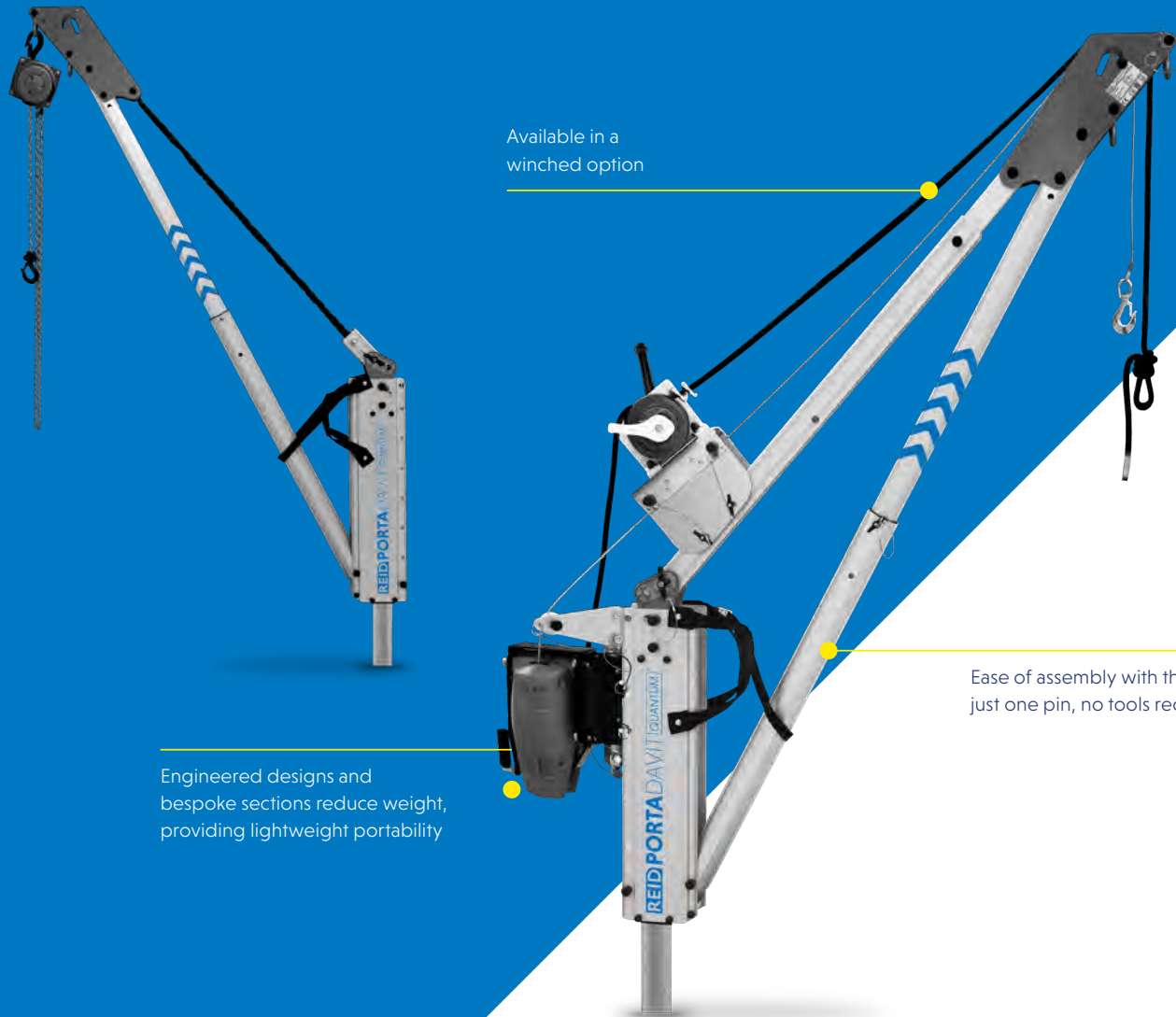


# ▶ PORTADAVIT QUANTUM®



Available in a winched option

Engineered designs and bespoke sections reduce weight, providing lightweight portability

Ease of assembly with the use of just one pin, no tools required

This product is patented

**MATERIALS**  
**Handling** *Working with ease...*  
PTY LTD

Our **PORTADAVIT<sup>QUANTUM</sup>** is a rapidly deployable, lightweight solution to heavy lifting and lowering of goods and personnel. Weighing from just 18.5kg when fully assembled, it can be manually operated by one person while maintaining a lifting capacity of up to 600kg.

## Key features

- › EN795:2012 Certified
- › ATEX Certified
- › Can support goods and personnel lifting;
  - Goods WLL of up to 600kg
  - Personnel WLL of up to 300kg
- › Ease of assembly with the use of just one pin, no tools required
- › Can be rotated 360° under a full load
- › Designed with a universal kingpin which is compatible for all sockets
- › Easy radius adjustment
- › Engineered designs and bespoke sections reduce weight, providing lightweight portability

## Configurations

The **PORTADAVIT<sup>QUANTUM</sup>** is available in a strop and winched version for use with a range of lifting equipment.



**600KG  
WLL**



**1 PERSON  
ASSEMBLY**



**FROM  
18.5KG**



**EN795  
CERTIFIED**



**ATEX  
CERTIFIED**

## Features & Performance

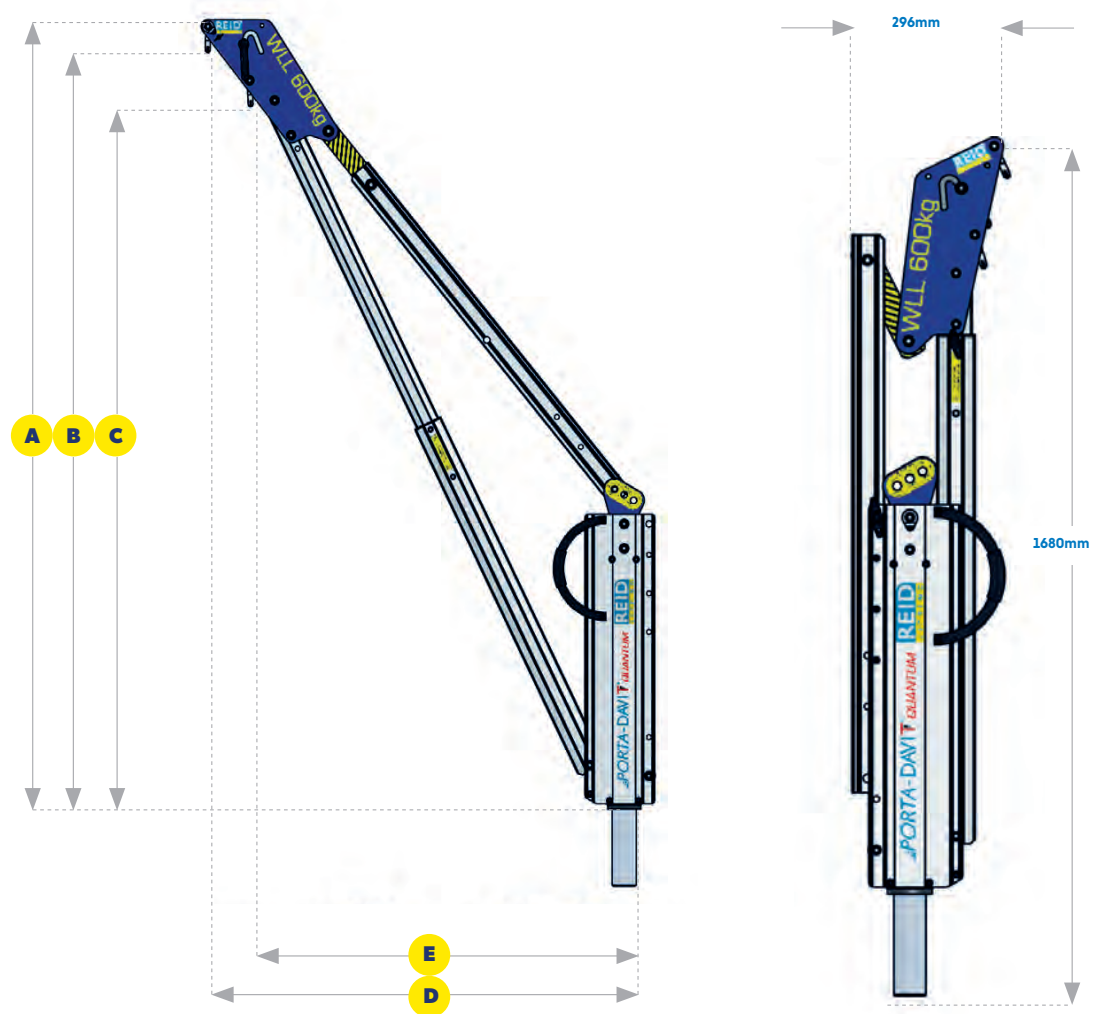
	PDQ 1	PDQ 2
<b>Accreditations, Certifications &amp; Standards</b>		
EN795:2012	✓	✓
AS/NZS 5532:2013	✓	✓
ATEX Certified [Zone 2]	✓	✓
ATEX Certified [Zone 1]	Optional	Optional
<b>Capacity</b>		
Maximum Goods Lifting [kg]	600	500
Maximum Personnel Lifting [kg]	300	250
Fall Arrest [Persons]	1	1
<b>Dimensions</b>		
Maximum Reach [mm]	1200	1500
Maximum Height of Lift [mm]	2111	1957
<b>Socket Diameter</b>		
65mm	✓	✓
<b>Socket Options</b>		
Top Mount	✓	✓
Flush Mount	✓	✓
Side Mount	✓	✓
Bridge Mount	✓	✓
Pedestal	✓	✓
Extension Post	✓	✓
<b>Standard Features</b>		
One Piece Unit	✓	✓
Multiple Accessory Attachment	✓	✓
Shackle Lifting Points	✓	✓
Weight < 25kg	✓	✓
<b>Optional Extras</b>		
Winch Capable	✓	✓
Rotational Handle	✓	✓
<b>Finishes</b>		
Anodised	✓	✓
316SS Fixings	Optional	Optional
Marine Spec	Optional	Optional

Dimensions in the table are approximate values. For more accurate details please refer to the Dimension Table.  
 All line items marked with a '✓' come as standard. All line items marked with a 'X' are not available.  
 All line items marked with 'optional' are available as an option and may incur additional costs.

**PORTADAVIT** QUANTUM®

- A** Overall height
- B** Height to outer shackle
- C** Height to inner shackle
- D** Radius to outer shackle
- E** Radius to inner shackle

**WINCH READY [Type W]**



**PORTADAVIT** QUANTUM®

Product Code	System Weight [kg]	WLL	Radius Adjustment Points	Dimensions [mm]				
				A	B	C	D*	E*
PDQ1W	22.5	600kg	1	2007	1935	1799	1200	1100
			2	2061	1989	1848	1100	1000
			3	2111	2039	1892	1000	900
PDQ2W	23	500kg	1	1837	1766	1647	1500	1400
			2	1899	1827	1703	1400	1300
			3	1957	1885	1755	1300	1200

\*Radii achieved at = 75% WLL

# > PORTADAVIT<sup>®</sup> 1000

Can be rotated 360° under a full load

Can be operated and assembled by one person, no tools required

Clean powder-coated finish for increased wear resistance

Incredibly lightweight



**MATERIALS**  
**Handling** *Working with ease...*  
PTY LTD

Our **PORTADAVIT** is a rapid deployable, lightweight solution that offers a WLL of 1000kg and can be easily rotated 360° under a full load.

The system can be operated by just one person and can support both goods and personnel lifting.

## Key features

- EN795:2012 Certified
- ATEX Certified
- Can support goods and personnel lifting;
  - Goods WLL of up to 1000kg
  - Personnel WLL of up to 300kg
- Ease of assembly with the use of just one pin, no tools required
- Can be rotated 360° under a full load
- Engineered with easy radius adjustment
- Engineered designs and bespoke sections reduce weight, providing lightweight portability

## Configurations

The **PORTADAVIT** is available in a range of standard configurations. It can also be customised in line with specific requirements and interchangeable components (subject to WLL rating).



**500KG - 1000KG  
WLL**



**1 PERSON  
ASSEMBLY**



**24KG - 39KG**



**EN795  
CERTIFIED**



**ATEX  
CERTIFIED**

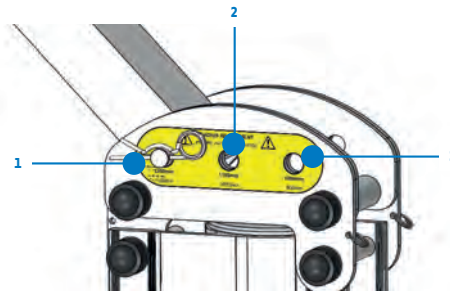
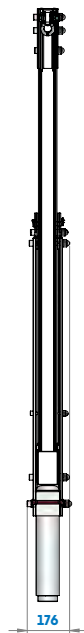
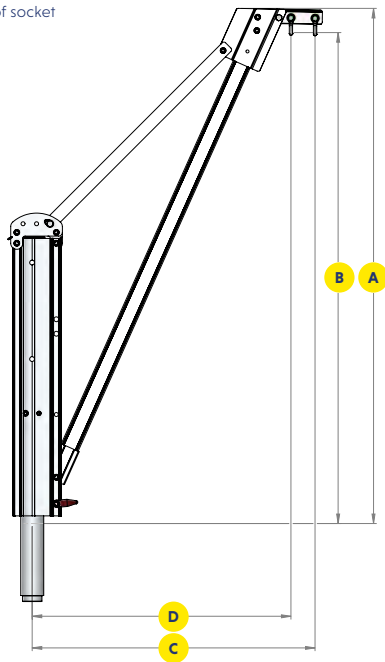
## Features & Performance

	<b>1000</b>
<b>Accreditations, Certifications &amp; Standards</b>	
EN795:2012	✓
PD CEN / TS16415:2013	✓
AS/NZS 5532:2013	✓
ATEX Certified [Zone 2]	✓
ATEX Certified [Zone 1]	Optional
IRATA	✓
<b>Capacity</b>	
Maximum Goods Lifting [kg]	1000
Maximum Personnel Lifting [kg]	300
Fall Arrest [Persons]	2
<b>Dimensions</b>	
Maximum Reach [mm]	1200
Maximum Height of Lift [mm]	2100
<b>Socket Diameter</b>	
65mm	x
95mm	✓
<b>Socket Options</b>	
Top Mount	✓
Flush Mount	✓
Side Mount	✓
Bridge Mount	x
Pedestal	x
Extension Post	x
<b>Standard Features</b>	
Shackle Lifting points	✓
Weight < 25kg	x
<b>Optional Extras</b>	
Winch Capable	x
<b>Finishes</b>	
Anodised	✓
Powder Coated	x
316SS Fixings	Optional
Marine Spec	Optional

Dimensions in the table are approximate values. For more accurate details please refer to the Dimension Table.  
 All line items marked with a '✓' come as standard. All line items marked with a 'x' are not available.  
 All line items marked with 'optional' are available as an option and may incur additional costs.

## PORTADAVIT® 1000

- A** Overall height from top of socket
- B** Height to shackles
- C** Radius to outer shackle
- D** Radius to inner shackle



WLL	Radius Adjustment Points	Dimensions [mm]			
		A	B	C*	D*
1000 kg	1	2100	2000	1200	1100
	2	2150	2050	1100	1000
	3	2200	2100	1000	900

\*Radii achieved at ≈ 75% WLL

# > Davit Accessories



## > TDAVIT Winch Brackets

We offer a wide range of winch brackets for common goods and personnel winches and retrieval fall arrest devices. The winch brackets can be attached the column of the **TDAVIT** to support in the application required.

Product Code	Description
RAWB000001	Winch Bracket Pfaff LB900/1200 to Porta-Davit & T-Davit
RAWB000203	Winch Bracket Pfaff LB350 to Porta-Davit & T-Davit
RAWB000136	Winch Bracket CWL200&CLW301 to Porta-Davit & T-Davit
RAWB000137	Winch Bracket Harken Lockhead/40.2 to T-Davit
RAWB000016	Winch Bracket kit G-Winch to Porta-Davit & T-Davit
RAWB000012	Winch Bracket SalaliffIII/Sealed blok to PortaDavit & T-Davit
RAWB000622	Winch bracket Checkmate personnel winch to Porta-Davit & T-Davit
RAWB000135	Winch bracket Checkmate FABXR/FABXLR to T Davit [Additional RAFP bracket required]



## > PORTADAVIT Winch Brackets

We offer a wide range of winch brackets for common goods and personnel winches and retrieval fall arrest devices. The winch brackets can be attached the backstay of the **PORTADAVIT** to support in the application required.

Product Code	Description
RAWB000001	Winch bracket Pfaff LB900/1200 to Porta-Davit & T-Davit
RAWB000136	Winch bracket CWL200&CLW301 to T-Davit & Porta-Davit
RAWB000016	Winch bracket G-Winch to Porta-Davit & T-Davit



## > Rotational Handle

Our rotational handle can be fitted to the column of the davit to aid in the rotation under load. The rotational handle can be fitted to our **TDAVIT** and **PORTADAVIT<sup>QUANTUM</sup>** systems. The rotation should be done in a controlled manner.

Product Code	Description
RATD000006	Rotation Handle to suit T-Davit and PDG



# > Davit Accessories



## > PORTADAVIT<sup>QUANTUM</sup> Winch Brackets[Column]

We offer a wide range of winch brackets for common goods and personnel winches and retrieval fall arrest devices. The winch brackets can be attached the column and backstay of the PORTADAVIT<sup>QUANTUM</sup> to support in the application required.

Product Code	Description
RAWB000608	Winch Bracket Pfaff LB350 to PDQ column
RAWB000005	Winch Bracket Pfaff LB900 to PDQ column
RAWB000096	Winch Bracket CWL200 to PDQ column
RAWB000100	Winch Bracket Harken Lokhead to PDQ column
RAWB000021	Winch Bracket G-Winch to PDQ Column
RAWB000126	Winch Bracket Checkmate FABXR/FABXLR to PDQ column [Additional RAFP bracket required]



## > PORTADAVIT<sup>QUANTUM</sup> Winch Brackets[Backstay]

We offer a wide range of winch brackets for common goods and personnel winches and retrieval fall arrest devices. The winch brackets can be attached the column and backstay of the PORTADAVIT<sup>QUANTUM</sup> to support in the application required.

Product Code	Description
RAWB000609	Winch Bracket Pfaff LB350 to PDQ Backstay
RAWB000004	Winch Bracket Pfaff LB900 to PDQ backstay
RAWB000116	Winch Bracket Pfaff LB900 to PDQ Backstay Double Winch
RAWB000091	Winch Bracket Harken Lokhead/40.2 PDQ Backstay
RAWB000092	Winch Bracket Harken Lokhead to PDQ Backstay Double Winch
RAWB000098	Winch Bracket G-Winch to PDQ Backstay
RAWB000020	Winch Bracket G-Winch to PDQ Backstay Double winch
RAWB000025	Winch Bracket G-Saver [7 & 14m] to PDQ Backstay
RAWB000616	Winch Bracket SalalifIII/block PDQ backstay
RAWB000015	Winch bracket Sala to PDQ Backstay Double winch
RAWB000614	Winch Bracket Checkmate FABXR/FABXLR to PDQ backstay [Additional RAFP bracket required]