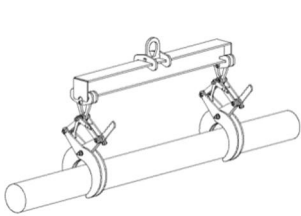


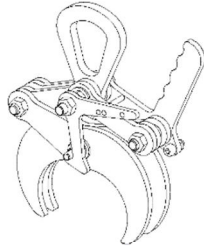
# LIFTING CLAMPS WITH SCISSOR GRIP RT

## APPLICATIONS

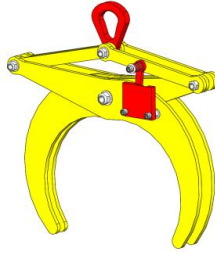
Lifting of round or square bars, tubes, and various small profiles individually or in hooped bundles.



2 RT clamps with lifting beam



RT



Automatic RT



RT with curved pads



RT with curved pads, chloroprene coated

## DESCRIPTION

These accessories are fitted with an open position locking system allowing to lay down the load without any intervention on the clamp.

These clamps come with an ergonomic handle and a security screw in order to avoid the complete closure of the clamps' arms to protect the worker's hands/fingers

Nevertheless, it is still forbidden to place hands inside the parallelogram but the risks for not following instructions are greatly reduced

## FUNCTIONING

Place the clamp locked open over the load. Lift up the lever and hold it in the up position while starting off the lift to prevent it from locking again against the fastening screw. When laying down, the clamp automatically locks itself open.

## IMPORTANT INSTRUCTIONS

- Use in pairs with a lifting beam recommended.
- Vertical traction only.
- When lifting bundles, ensure each piece is correctly secured by the clamps.
- Working temperature: -20° to +100° C.

## GENERAL CHARACTERISTICS

- Manufactured without load bearing welds.
- Hot epoxy coating.
- Safety factor: 3 in accordance with the EN 13155.2003 standard.
- Product conforms to the French regulation, in particular the decree of 01/03/2004 relating to the check on lifting devices and the European Directive n° 98/37.
- Product with EC marking and delivered with a declaration of conformity and instructions for use.

# LIFTING CLAMPS WITH SCISSOR GRIP RT

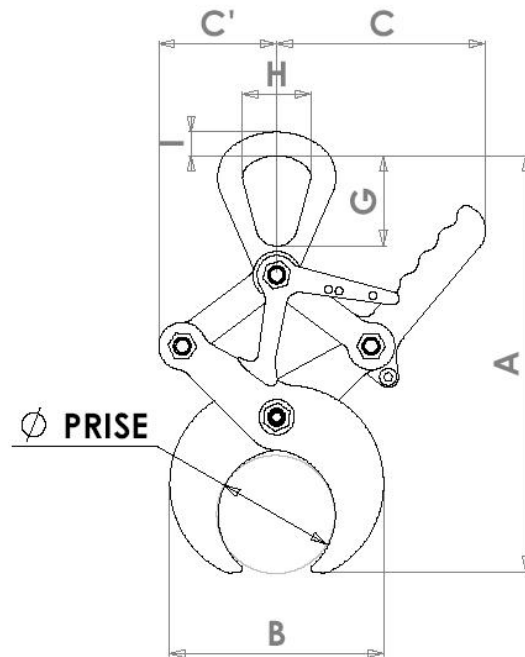
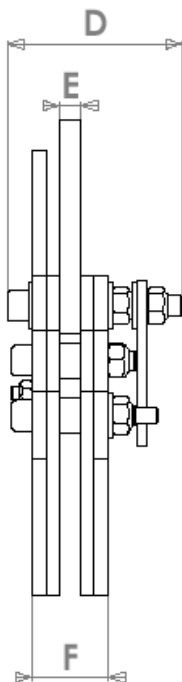
## DIMENSIONS

Standard clamp, automatic release

Code	WLL kg	Opening A		B		C (handle)		C'		D	E	F	G	H	I	Weight kg		
		mini	maxi	mini	maxi	mini*	maxi**	mini*	maxi**									
RT05-50-100	500	50	100	314	359	136	170	144	162	76	102	102	12	44	69	52	18	4
RT1-100-200	1000	100	200	475	563	241	318	196	198	120	163	102	12	44	69	52	18	9
RT2-200-350	2000	200	350	745	872	427	544	258	278	180	245	103	20	60	80	64	23	28
RT3-250-450	3000	250	450	839	1010	485	634	337	355	269	340	117	20	68	80	64	23	40

## FUNCTIONS (same dimensions as above mentioned clamps)

WLL	Opening	reference / Group code		Pads	
		Automatic grab	Standard	Curved pads	Curved pads + chloroprene
500	50-100	No	RT05 50-100	RT05 50-100-TC	RT05 50-100-CR
		Yes	RTA05 50-100	RTA05 50-100-TC	RTA05 50-100-CR
1000	100-200	No	RT1 100-200	RT1 100-200-TC	RT1 100-200-CR
		Yes	RTA1 100-200	RTA1 100-200-TC	RTA1 100-200-CR
2000	200-350	No	RT2 200-350	RT2 200-350-TC	RT2 200-350-CR
		Yes	RTA2 200-350	RTA2 200-350-TC	RTA2 200-350-CR
3000	250-450	No	RT3 250-450	RT3 250-450-TC	RT3 250-450-CR
		Yes	RTA3 250-450	RTA3 250-450-TC	RTA3 250-450-CE



Australia Wide Sales & Service

sales@materialshandling.com.au | www.materialshandling.com.au | 1300 65 00 35

**MATERIALS**  
**Handling** *Working with ease*