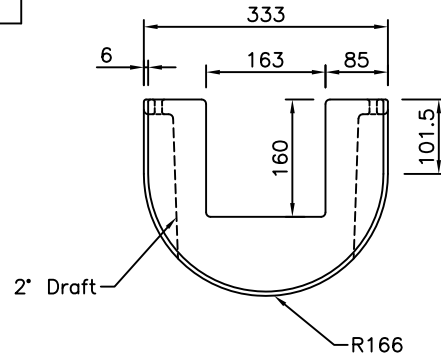
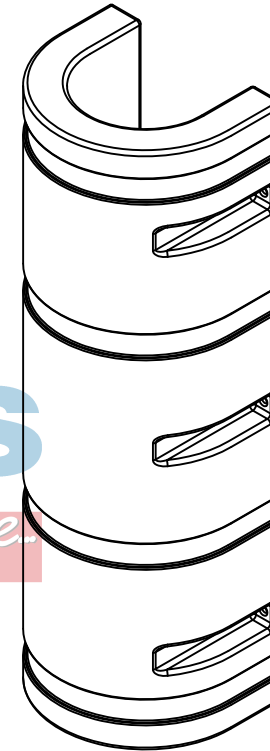
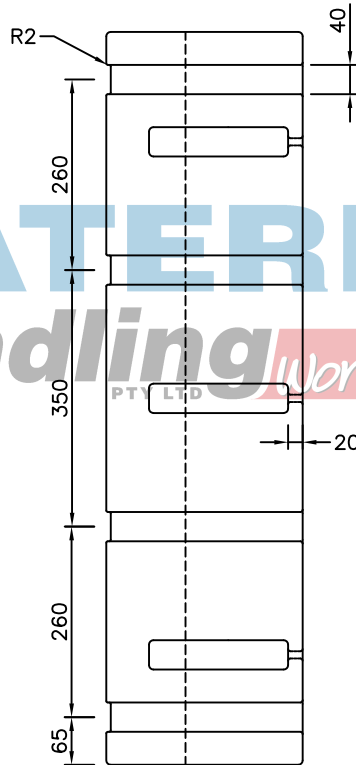
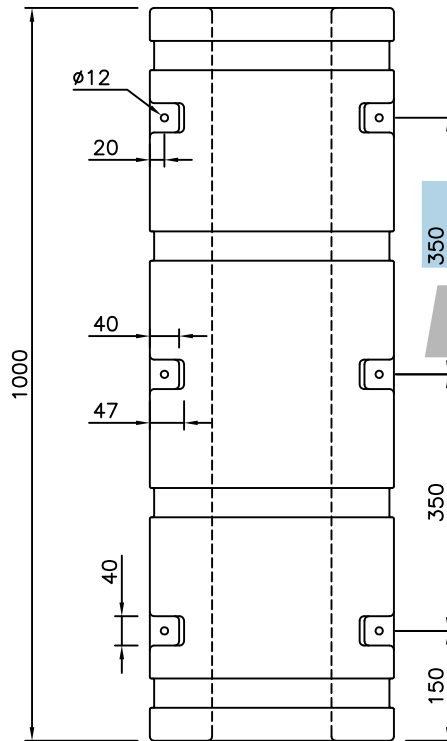


ITEM NUMBER:
IN3000



NOTE: PRODUCT SIZES SHOWN.
3% SHRINKAGE MUST BE ADDED.
ALL RADII TO BE 6mm UNLESS OTHERWISE STATED.



MATERIALS
Handling *Working with ease.*
PT LTD

UNCONTROLLED COPY – DO NOT SCALE

TITLE: DOWNPIPE PROTECTOR IN3000						DRAWING No: V0208-2P	
DATE: 04JUN01	DRWN BY: AML	CHKD BY:	APVD BY:	SHEET: 1 OF 1	SCALE: 1:7.5	A3	REV: A