

SWING GATE & ON BOARD POWER UNIT ORIENTATION

SWING GATES

Swing gates come standard, the orientation can be modified to suit the site

- Swing Gates – Left or Right hand options
- Gate handing at each level can be same side or opposite

POWER UNIT

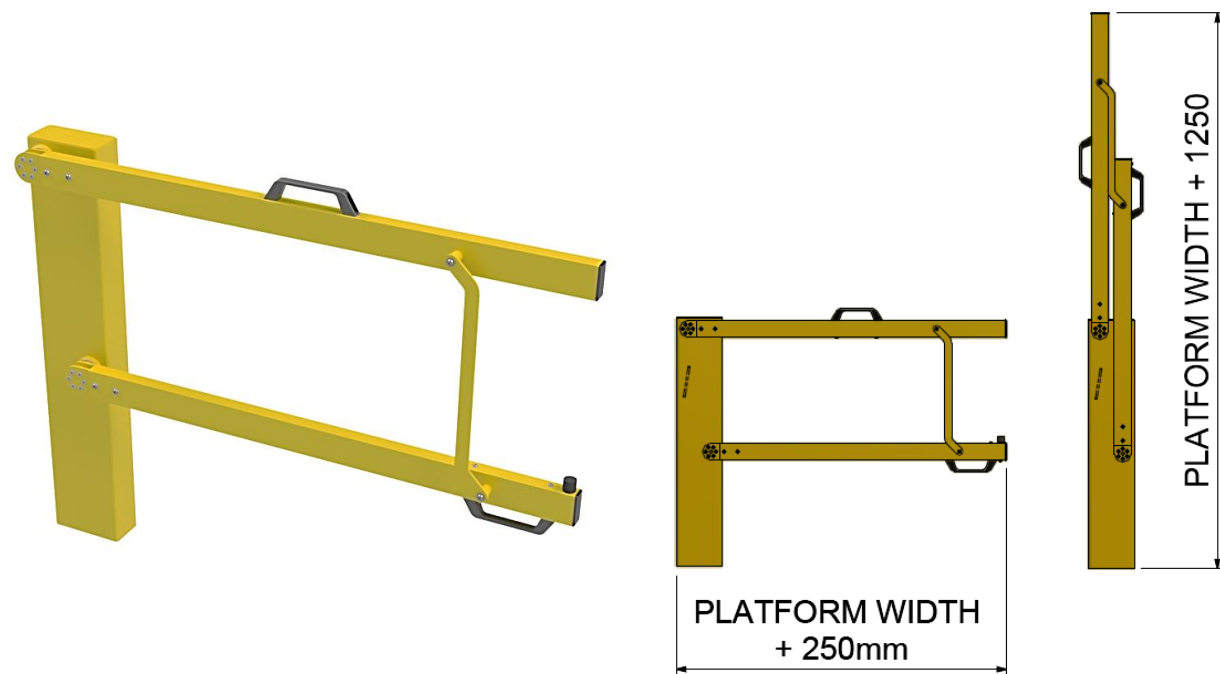
The power unit can be remote, this is for units where space beside the unit is limited

- Power Requirements: 415v, 3 Phase, 10 Amp, 5 pin switched outlet, protected by a D-curve circuit breaker
- Conduit required if Remote power unit is used
- On board power unit located door handle side of swing gate on lower level (opposite available on request)

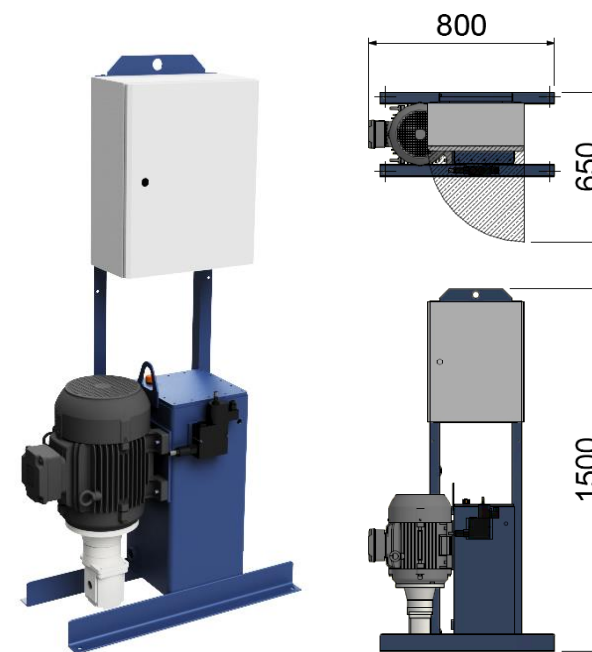
BOOM GATE

For situations where space at the landing is limited a boom gate can be optioned

- Interlocked with hoist movement
- Available for upper landing only



BOOM GATE



REMOTE POWER UNIT