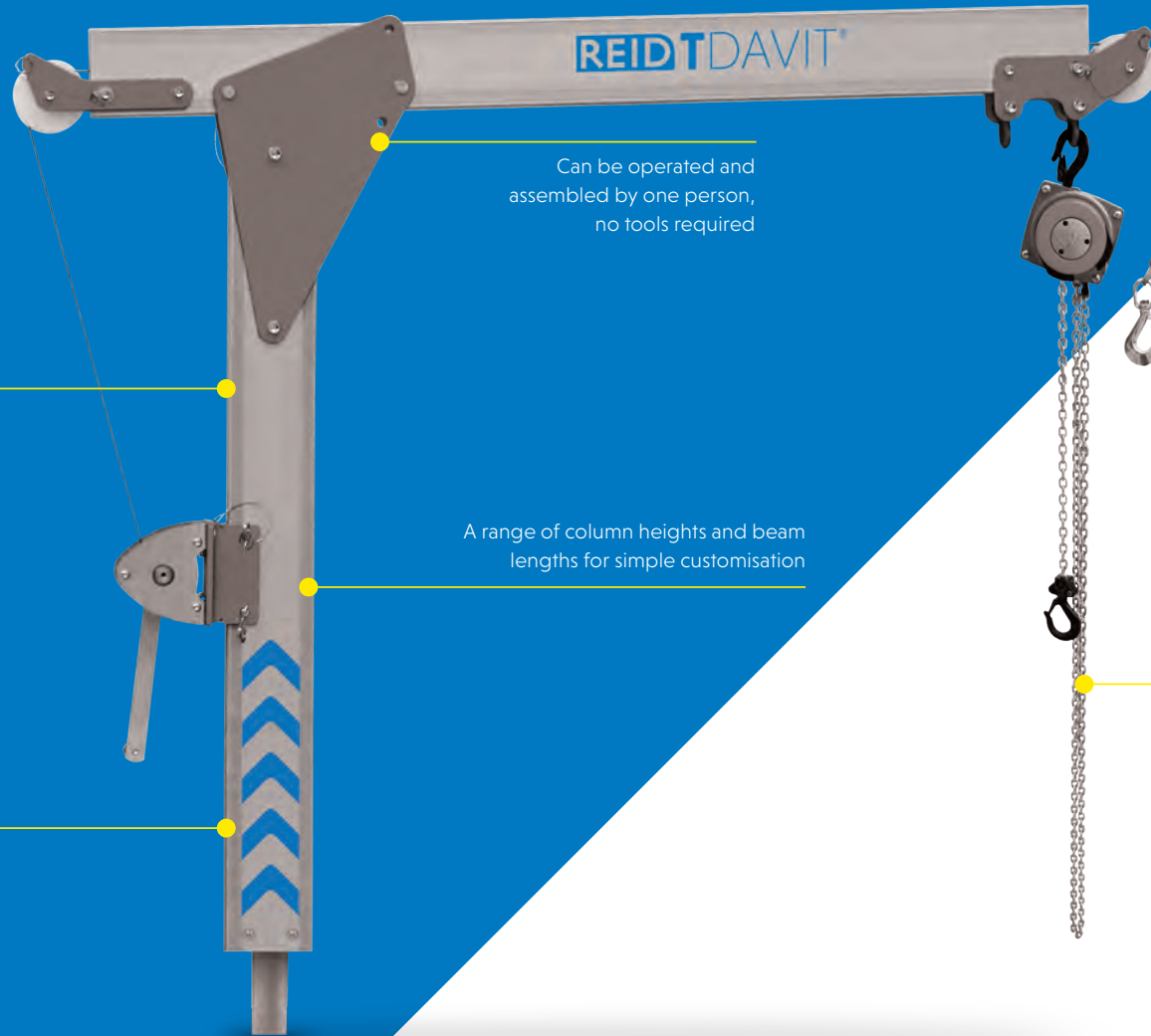


> TDAVIT[®]



Can be operated and assembled by one person, no tools required

Clean, anodised finish for increased wear resistance

A range of column heights and beam lengths for simple customisation

Can be rotated 360° under a full load

Capacity of up to 600kg for goods lifting

**Winch and hoist sold separately

This product is patented

MATERIALS
Handling *Working with ease...*
PTY LTD

Our TDAVIT is lightweight, portable, and as well as a wide range of standard sizes can be custom-designed and manufactured to specifically meet our customers' individual needs. Truly pioneering, it offers a lifting capacity of up to 600kg and 360° rotation under a full load.

Key features

- EN795:2012 Certified
- ATEX Certified
- Can support goods and personnel lifting;
 - Goods WLL of up to 600kg
 - Personnel WLL of up to 300kg
- Can be operated and assembled by one person, no tools required
- Can be rotated 360° under a full load
- Designed with a universal kingpin which is compatible for all sockets
- Clean, anodised finish for increased corrosion resistance
- A variety of attachments for a range of applications
- Engineered designs and bespoke sections reduce weight, providing lightweight portability

Configurations

The TDAVIT is available in a range of configurations and can be customised in line with specific requirements (subject to WLL rating).

**Refer for further guidance



600KG
WLL



1 PERSON
ASSEMBLY



CUSTOMISED
& BAGGED



EN795
CERTIFIED



ATEX
CERTIFIED

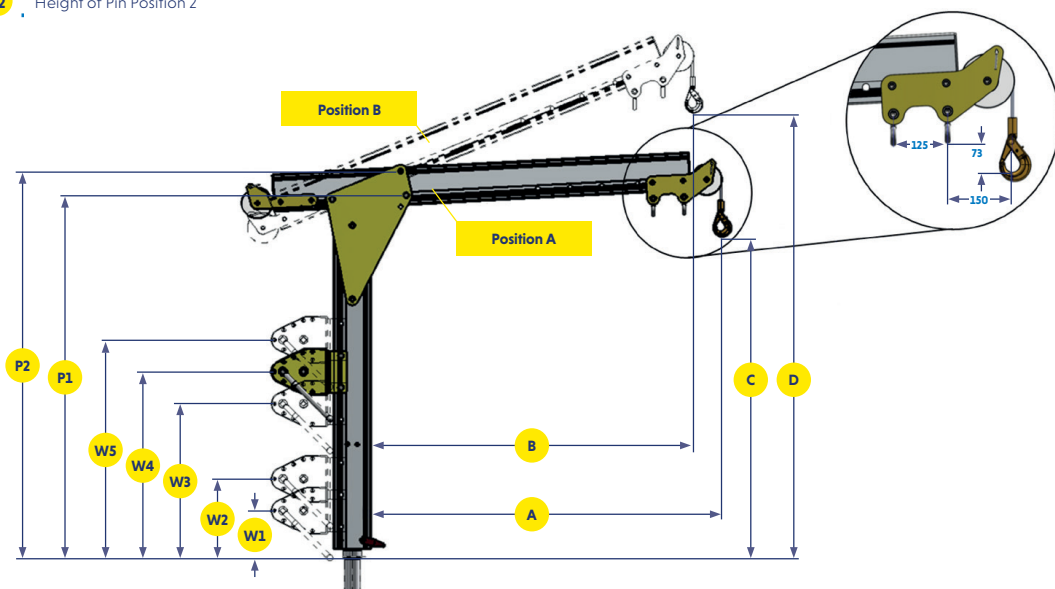
Features & Performance

	BEAM 0	BEAM 1	BEAM 2	BEAM 3	BEAM 4
Accreditations, Certifications & Standards					
EN795:2012	✓	✓	✓	✓	×
AS/NZS 5532:2013	✓	✓	✓	✓	×
ATEX Certified [Zone 2]	✓	✓	✓	✓	✓
ATEX Certified [Zone 1]	Optional	Optional	Optional	Optional	Optional
IRATA	✓	✓	✓	✓	×
Capacity					
Maximum Goods Lifting [kg]	600	500	500	375	300
Maximum Personnel Lifting [kg]	300	250	250	150	×
Fall Arrest [Persons]	1	1	1	1	×
Dimensions					
Maximum Reach [mm]	800	1000	1200	1600	2000
Maximum Height of Lift [mm]	2165	2240	2315	2460	2615
Socket Diameter					
65mm	✓	✓	✓	✓	✓
Socket Options					
Top Mount	✓	✓	✓	✓	✓
Flush Mount	✓	✓	✓	✓	✓
Side Mount	✓	✓	✓	✓	✓
Bridge Mount	✓	✓	✓	✓	✓
Pedestal	✓	✓	✓	✓	✓
Extension Post	✓	✓	✓	✓	✓
Standard Features					
Shackle Lifting points	✓	✓	✓	✓	✓
Component Weight < 25kg	✓	✓	✓	✓	✓
Optional Extras					
Winch Capable	✓	✓	✓	✓	✓
Rotational Handle	✓	✓	✓	✓	✓
Finishes					
Anodised	✓	✓	✓	✓	✓
316SS Fixings	Optional	Optional	Optional	Optional	Optional
Marine Spec	Optional	Optional	Optional	Optional	Optional

Dimensions in the table are approximate values. For more accurate details please refer to the Dimension Table.
All line items marked with a '✓' come as standard. All line items marked with a 'X' are not available.
All line items marked with 'optional' are available as an option and may incur additional costs.

TDAVIT® WINCHED

- A** Radius | Position A
- B** Radius | Position B
- C** Height of Lift | Position A
- D** Height of Lift | Position B
- W1** Winch Position 1
- W2** Winch Position 2
- W3** Winch Position 3
- W4** Winch Position 4
- W5** Winch Position 5
- P1** Height of Pin Position 1
- P2** Height of Pin Position 2



Product Code	Description
TDWA1A0TD2	T-Davit Type W Column option 1 Beam option 0 WLL 600kg
TDWA1A1TD2	T-Davit Type W Column option 1 Beam option 1 WLL 500kg
TDWA1A2TD2	T-Davit Type W Column option 1 Beam option 2 WLL 500kg
TDWA1A3TD2	T-Davit Type W Column option 1 Beam option 3 WLL 375kg
TDWA1A4TD2	T-Davit Type W Column option 1 Beam option 4 WLL 300kg
TDWA2A0TD2	T-Davit Type W Column option 2 Beam option 0 WLL 600kg
TDWA2A1TD2	T-Davit Type W Column option 2 Beam option 1 WLL 500kg
TDWA2A2TD2	T-Davit Type W Column option 2 Beam option 2 WLL 500kg
TDWA2A3TD2	T-Davit Type W Column option 2 Beam option 3 WLL 375kg
TDWA2A4TD2	T-Davit Type W Column option 2 Beam option 4 WLL 300kg
TDWA3A0TD2	T-Davit Type W Column option 3 Beam option 0 WLL 600kg
TDWA3A1TD2	T-Davit Type W Column option 3 Beam option 1 WLL 500kg
TDWA3A2TD2	T-Davit Type W Column option 3 Beam option 2 WLL 500kg
TDWA3A3TD2	T-Davit Type W Column option 3 Beam option 3 WLL 375kg
TDWA3A4TD2	T-Davit Type W Column option 3 Beam option 4 WLL 300kg
TDWA4A0TD2	T-Davit Type W Column option 4 Beam option 0 WLL 600kg
TDWA4A1TD2	T-Davit Type W Column option 4 Beam option 1 WLL 500kg
TDWA4A2TD2	T-Davit Type W Column option 4 Beam option 2 WLL 500kg
TDWA4A3TD2	T-Davit Type W Column option 4 Beam option 3 WLL 375kg
TDWA4A4TD2	T-Davit Type W Column option 4 Beam option 4 WLL 300kg
TDWA5A0TD2	T-Davit Type W Column option 5 Beam option 0 WLL 600kg
TDWA5A1TD2	T-Davit Type W Column option 5 Beam option 1 WLL 500kg
TDWA5A2TD2	T-Davit Type W Column option 5 Beam option 2 WLL 500kg
TDWA5A3TD2	T-Davit Type W Column option 5 Beam option 3 WLL 375kg
TDWA5A4TD2	T-Davit Type W Column option 5 Beam option 4 WLL 300kg

➤ How To Specify A TDAVIT

Select a beam option from the table based on the radius you require. Each TDAVIT has two radius options A or B which is determined by the beam position [refer to the dimensional drawing].

Be aware that larger radius beams reduce the working load limit of the TDAVIT.

Select your column option from the dimensional table based on the height of lift you require. Column option 1 is our shortest standard column and option 5 is our tallest.

Should you need a greater height of lift, you can add a pedestal or socket extension, subject to restrictions [see further information].

For our standard TDAVIT product codes refer to the product code list for any custom requests please contact your representative.

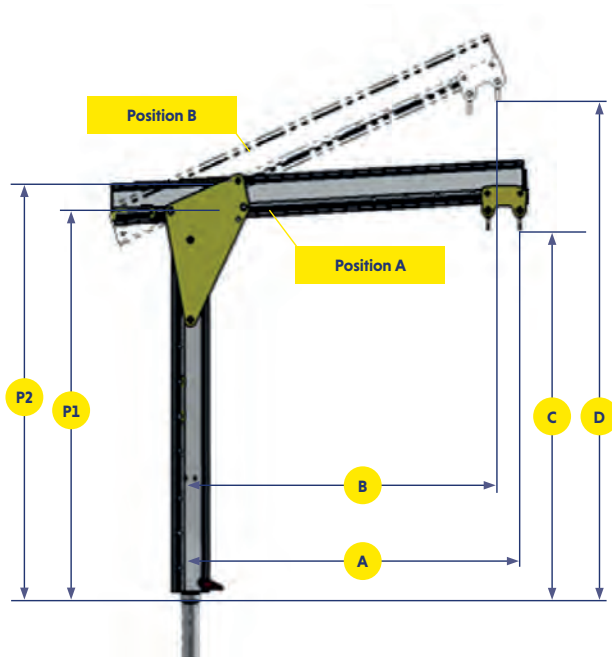
To request a quote and any additional information on sockets or accessories such as winches and chain hoists, contact your representative. See our accessories.

		0		1		2		3		4						
		A	B	A	B	A	B	A	B	A	B					
		800	740	1000	925	1200	1110	1600	1485	2000	1855					
		600		500		500		375		300						
		11.5		12		13		16		19						
		C	D	C	D	C	D	C	D	C	D					
Column Option	1	800	1050	810	1125	820	1200	840	1345	860	1500	20	W1	220	P1	P2
													W2	320	980	1080
	2	980	1230	990	1305	1000	1380	1020	1525	1040	1680	21	W1	220	1165	1265
													W2	320		
													W3	675		
	3	1290	1540	1300	1615	1310	1690	1330	1835	1350	1990	23	W1	220	1475	1575
													W2	320		
													W3	675		
													W4	775		
													W5	875		
4	1605	1855	1615	1930	1625	2005	1645	2150	1665	2305	25	W3	675	1790	1890	
												W4	775			
												W5	875			
5	1915	2165	1925	2240	1935	2315	1955	2460	1975	2615	28	W5	875	2100	2200	

*Radii achieved at =75% WLL

TDAVIT® SHACKLED

- A** Radius | Position A
- B** Radius | Position B
- C** Height of Lift | Position A
- D** Height of Lift | Position B
- P1** Height of Pin Position 1
- P2** Height of Pin Position 2



Product Code	Description
TDSA1A0TD2	T-Davit Type S Column option 1 Beam option 0 WLL 600kg
TDSA1A1TD2	T-Davit Type S Column option 1 Beam option 1 WLL 500kg
TDSA1A2TD2	T-Davit Type S Column option 1 Beam option 2 WLL 500kg
TDSA1A3TD2	T-Davit Type S Column option 1 Beam option 3 WLL 375kg
TDSA1A4TD2	T-Davit Type S Column option 1 Beam option 4 WLL 300kg
TDSA2A0TD2	T-Davit Type S Column option 2 Beam option 0 WLL 600kg
TDSA2A1TD2	T-Davit Type S Column option 2 Beam option 1 WLL 500kg
TDSA2A2TD2	T-Davit Type S Column option 2 Beam option 2 WLL 500kg
TDSA2A3TD2	T-Davit Type S Column option 2 Beam option 3 WLL 375kg
TDSA2A4TD2	T-Davit Type S Column option 2 Beam option 4 WLL 300kg
TDSA3A0TD2	T-Davit Type S Column option 3 Beam option 0 WLL 600kg
TDSA3A1TD2	T-Davit Type S Column option 3 Beam option 1 WLL 500kg
TDSA3A2TD2	T-Davit Type S Column option 3 Beam option 2 WLL 500kg
TDSA3A3TD2	T-Davit Type S Column option 3 Beam option 3 WLL 375kg
TDSA3A4TD2	T-Davit Type S Column option 3 Beam option 4 WLL 300kg
TDSA4A0TD2	T-Davit Type S Column option 4 Beam option 0 WLL 600kg
TDSA4A1TD2	T-Davit Type S Column option 4 Beam option 1 WLL 500kg
TDSA4A2TD2	T-Davit Type S Column option 4 Beam option 2 WLL 500kg
TDSA4A3TD2	T-Davit Type S Column option 4 Beam option 3 WLL 375kg
TDSA4A4TD2	T-Davit Type S Column option 4 Beam option 4 WLL 300kg
TDSA5A0TD2	T-Davit Type S Column option 5 Beam option 0 WLL 600kg
TDSA5A1TD2	T-Davit Type S Column option 5 Beam option 1 WLL 500kg
TDSA5A2TD2	T-Davit Type S Column option 5 Beam option 2 WLL 500kg
TDSA5A3TD2	T-Davit Type S Column option 5 Beam option 3 WLL 375kg
TDSA5A4TD2	T-Davit Type S Column option 5 Beam option 4 WLL 300kg

➤ How To Specify A TDAVIT

Select a beam option from the table based on the radius you require. Each TDAVIT has two radius options A or B which is determined by the beam position [refer to the dimensional drawing].

Be aware that larger radius beams reduce the working load limit of the TDAVIT.

Select your column option from the dimensional table based on the height of lift you require. Column option 1 is our shortest standard column and option 5 is our tallest.

Should you need a greater height of lift, you can add a pedestal or socket extension, subject to restrictions [see for further information].

For our standard TDAVIT product codes refer to the product code list for any custom requests please contact your representative.

To request a quote and any additional information on sockets or accessories such as winches and chain hoists, contact your representative. See our accessories.

		0		1		2		3		4				
		A	B	A	B	A	B	A	B	A	B			
		650	590	850	775	1050	960	1450	1335	1850	1705			
		600		500		500		375		300				
		9		10		11		14		17				
		C	D	C	D	C	D	C	D	C	D	P1	P2	
Column Option	1	880	1100	890	1175	900	1250	920	1395	940	1550	20	980	1080
	2	1060	1280	1070	1355	1080	1430	1100	1575	1120	1730	21	1165	1265
	3	1370	1590	1380	1665	1390	1740	1410	1885	1430	2040	23	1475	1575
	4	1685	1905	1695	1980	1705	2055	1725	2200	1745	2355	25	1790	1890
	5	1995	2215	2005	2290	2015	2365	2035	2510	2055	2665	28	2100	2200

*Radii achieved at ≈ 75% WLL

> TDAVIT® TDT

Can be operated and assembled by one person, no tools required

Clean, anodized finish for increased corrosion resistance

A range of column heights and beam lengths for a variety of work environments

Can be rotated 360° under a full load

Integrated geared trolley which improves lateral movement of high capacity loads



The **TDT** can be combined with many proprietary manual hand chain hoists. Suitable hoists are available and can be combined with the product to provide a holistic lifting solution or can be purchased via our network of resellers operating in your area.

This product is patented

MATERIALS
Handling *Working with ease...*
PTY LTD

Our TDAVIT – TDT is lightweight, portable and has been designed to meet customer needs where the lifting and moving of equipment in tight spaces is a challenge.

› Key features

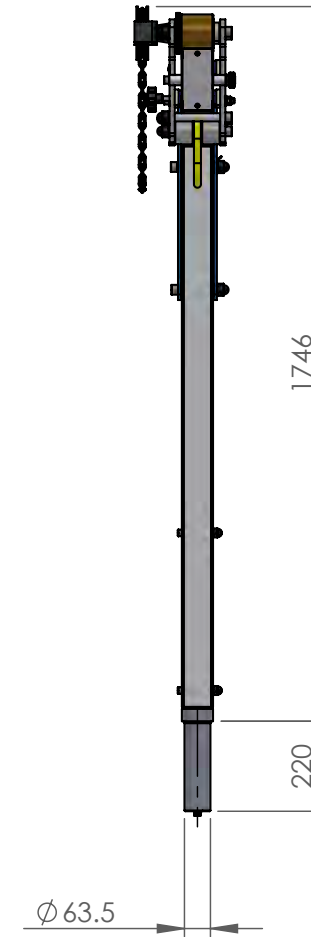
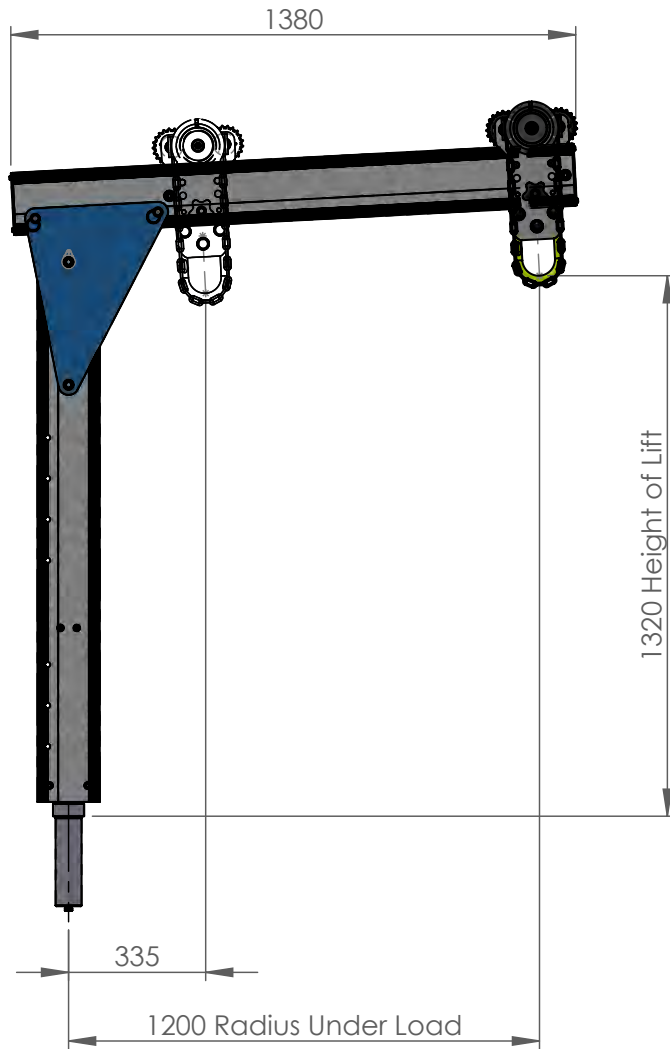
- › A range of 3 column and 4 beam sizes to suit customer specific needs
- › Variable beam traversing via integrated geared trolley and customers choice of hoist
- › Trolley can be secured during lift
- › Trolley can be traversed whilst under load (34¾" to 45¾" of movement)
- › Rotation under load due to patented integral bearing system
- › Universal kingpin fits all sockets
- › Manufactured from marine grade alloy and anodized/powder coated for increased corrosion resistance
- › Quality engineering and production parts reduce weight and provide high strength to weight ratios
- › Two piece design to reduce manual handling concerns during transportation and assembly
- › ATEX Zone 2 (explosive atmospheres) certification as standard
- › ATEX Zone 1 (explosive atmospheres) as optional upgrade
- › Can be assembled and operated by one person. No tools required

› Configurations

The TDT is available in several standard configurations to meet with customers most common requirements. Custom solutions can be offered by request, subject to the working load limit requirements.

› Features & Performance

	1200	1500	1700	2000
Accreditations, Certifications & Standards				
Directive 2006/42/EC	✓	✓	✓	✓
ATEX Certified [Zone 1]	Optional	Optional	Optional	Optional
Capacity				
Max Goods Lifting (kg)	400	200	150	150
Dimensions				
Maximum Reach (mm)	1200	1500	1700	2000
Maximum Height of Lift (mm)	1945	1960	1971	1986
Socket Diameter				
65mm	✓	✓	✓	✓
Socket Options				
Top Mount	✓	✓	✓	✓
Flush Mount	✓	✓	✓	✓
Side Mount	✓	✓	✓	✓
Bridge Mount	✓	✓	✓	✓
Pedestal	✓	✓	✓	✓
Standard Features				
Component Weight < 25kg	✓	✓	✓	✓
Geared Trolley	✓	✓	✓	✓
Finishes				
Anodised	✓	✓	✓	✓
316SS Fixings	Optional	Optional	Optional	Optional
Marine Spec	Optional	Optional	Optional	Optional

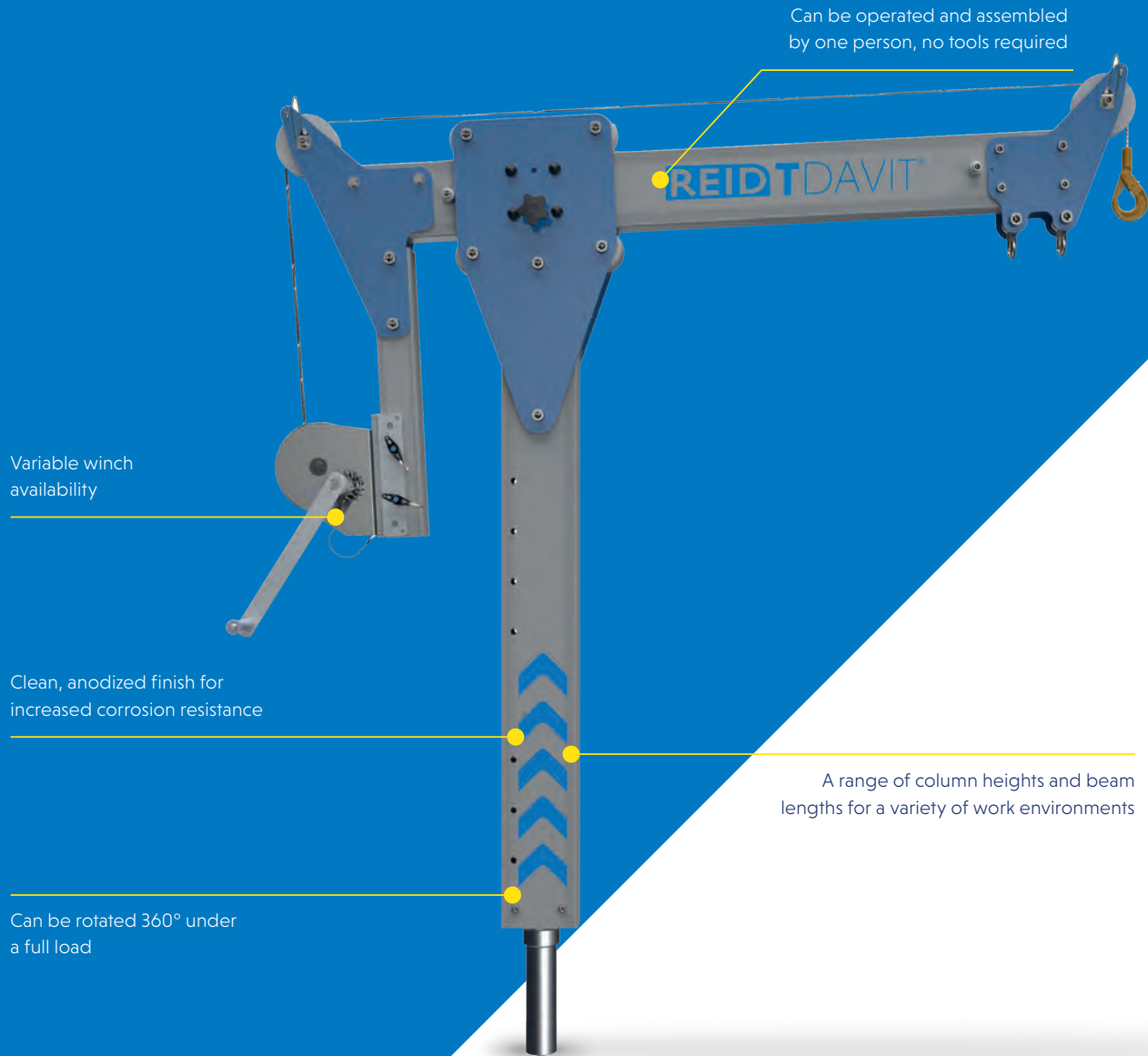


Below is a list of standard **TDT** variants, available from stock.
 Custom sizes are available if required, subject to limitations.

➤ Part Numbers and Key Metrics

Part Number	Description	≈ effort on handchain to move trolley under load	Max WLL (Capacity) kg	Overall Davit Height (from Top of Socket) mm	"Max Height of Lift mm"	"Overall Beam Length mm"	"Max Radius mm"	"Max Radius mm"	"Range of Trolley Travel mm"
TDTA51200	T-Davit Type T Column 5 Radius 1200mm WLL400kg	10-15 kg	400	2371	1945	1380	1200	335	865
TDTA51500	T-Davit Type T Column 5 Radius 1500mm WLL400kg	10-15 kg	400	2385	1960	1658	1500	335	1165
TDTA51700	T-Davit Type T Column 5 Radius 1700mm WLL200kg	5-10kg	200	2397	1971	1875	1700	335	1365
TDTA52000	T-Davit Type T Column 5 Radius 2000mm WLL200kg	5-10kg	200	2412	1986	2157	2000	335	1665
TDTA41200	T-Davit Type T Column 4 Radius 1200mm WLL400kg	10-15 kg	400	2061	1635	1380	1200	335	865
TDTA41500	T-Davit Type T Column 4 Radius 1500mm WLL400kg	10-15 kg	400	2075	1650	1658	1500	335	1165
TDTA41700	T-Davit Type T Column 4 Radius 1700mm WLL200kg	5-10kg	200	2087	1661	1875	1700	335	1365
TDTA42000	T-Davit Type T Column 4 Radius 2000mm WLL200kg	5-10kg	200	2102	1676	2157	2000	335	1665
TDTA31200	T-Davit Type T Column 3 Radius 1200mm WLL400kg	10-15 kg	400	1746	1320	1380	1200	335	865
TDTA31500	T-Davit Type T Column 3 Radius 1500mm WLL400kg	10-15 kg	400	1760	1335	1658	1500	335	1165
TDTA31700	T-Davit Type T Column 3 Radius 1700mm WLL200kg	5-10kg	200	1772	1346	1875	1700	335	1365
TDTA32000	T-Davit Type T Column 3 Radius 2000mm WLL200kg	5-10kg	200	1787	1361	2157	2000	335	1665

> TDAVIT® TDVW



Can be operated and assembled by one person, no tools required

Variable winch availability

Clean, anodized finish for increased corrosion resistance

Can be rotated 360° under a full load

A range of column heights and beam lengths for a variety of work environments

This product is patented

MATERIALS
Handling *Working with ease...*
PTY LTD

Our **TDAVIT – TDVW** is lightweight, portable and has been designed to meet customer needs where the lifting and moving of equipment in tight spaces is a challenge.

Key features

- A range of 3 columns and 4 beam sizes to suit customer specific needs
- Variable beam length achieved with simple manual operation
- Beam can be secured during lift
- Easy beam adjustment whilst under load (726mm to 1526mm of movement)
- Rotation under load due to patented integral bearing system
- Universal kingpin fits all sockets
- Manufactured from marine grade alloy and anodised/powder coated for increased corrosion resistance
- Quality engineering and production parts reduce weight and provide high strength to weight ratios
- Two piece design to reduce manual handling concerns during transportation and assembly
- ATEX Zone 2 (explosive atmospheres) certification as standard
- ATEX Zone 1 (explosive atmospheres) as optional upgrade
- Can be assembled and operated by one person. No tools required

Configurations

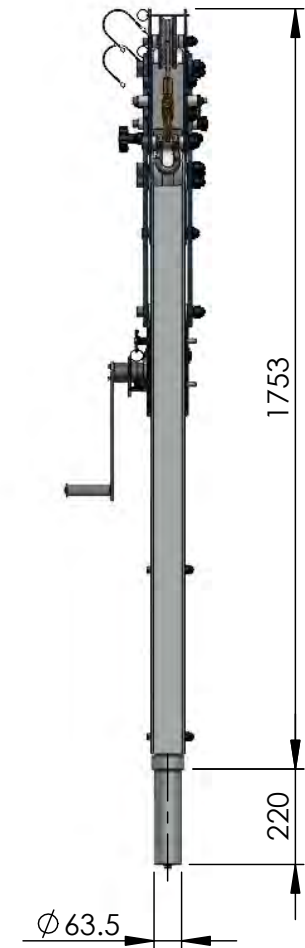
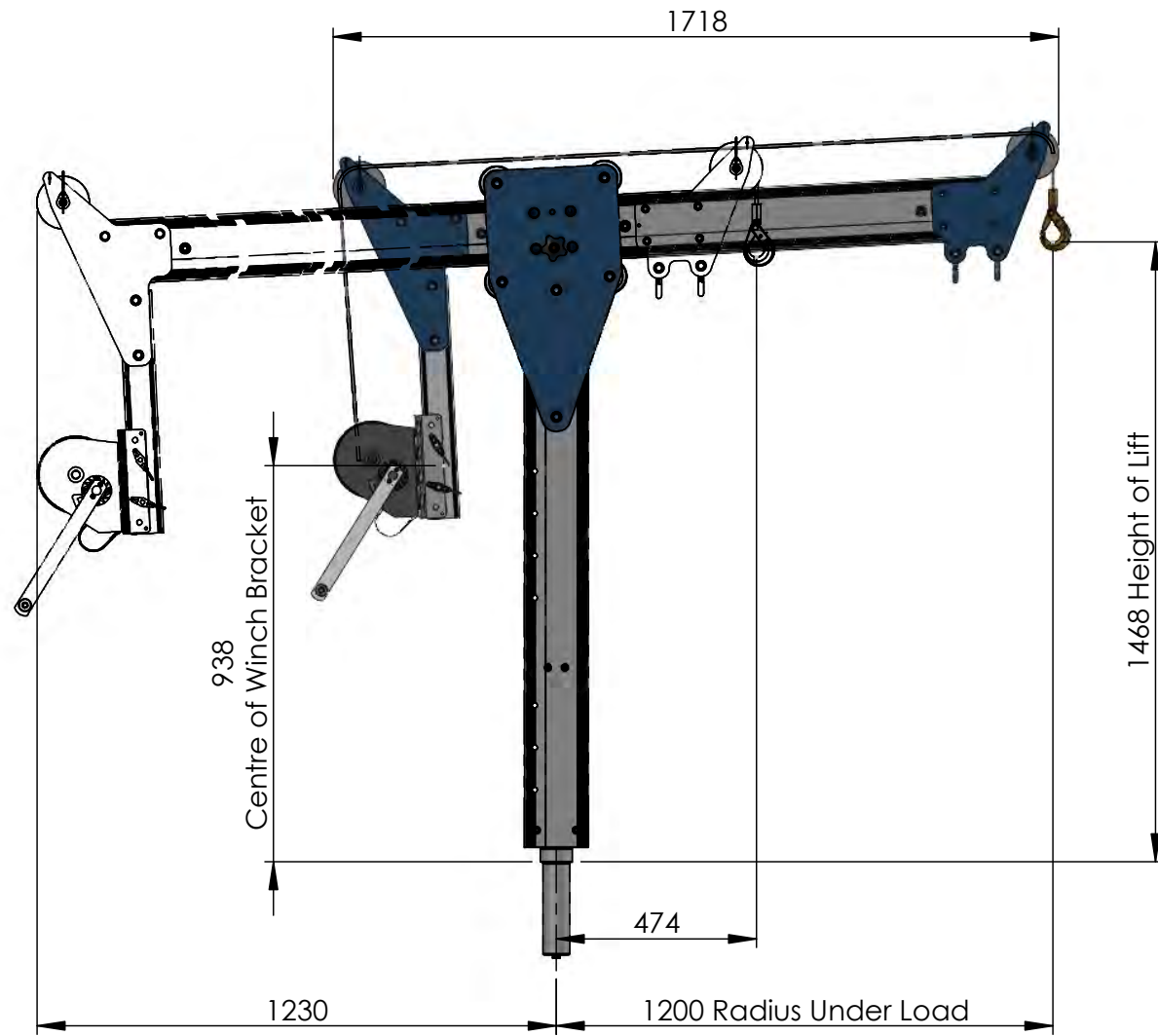
The **TDVW** is available in several standard configurations to meet with customers most common requirements. Custom solutions can be offered by request, subject to the working load limit requirements.

Winches

The **TDVW** is compatible with a number of goods winches which are available to purchase directly.

Features & Performance

	1200	1500	1700	2000
Accreditations, Certifications & Standards				
Directive 2006/42/EC	✓	✓	✓	✓
ATEX Certified [Zone 1]	Optional	Optional	Optional	Optional
Capacity				
Max Goods Lifting (kg)	300	150	200	200
Dimensions				
Maximum Reach (mm)	1200	1500	1700	2000
Maximum Height of Lift (mm)	2093	2107	2118	2132
Socket Diameter				
65mm	✓	✓	✓	✓
Socket Options				
Top Mount	✓	✓	✓	✓
Flush Mount	✓	✓	✓	✓
Side Mount	✓	✓	✓	✓
Bridge Mount	✓	✓	✓	✓
Pedestal	✓	✓	✓	✓
Standard Features				
Shackle Lifting points	✓	✓	✓	✓
Finishes				
Anodised	✓	✓	✓	✓
316SS Fixings	Optional	Optional	Optional	Optional
Marine Spec	Optional	Optional	Optional	Optional



Below is a list of standard **TDVW** variants, available from stock.
 Custom sizes are available if required, subject to limitations.

➤ Part Numbers and Key Metrics

Part Number	Description	≈ effort to move beam under load	Max WLL (Capacity) kg	Overall Davit Height (from Top of Socket) mm	Max Height of Lift mm	Overall Beam Length mm	Max Radius mm	Min Radius mm	Range of Beam Travel mm	Clearance required for max beam travel mm
TDVWA51200	T-Davit Type VW Column 5 Radius 1200mm WLL300kg	25-30kg	300	2378	2093	1718	1200	474	726	1230
TDVWA51500	T-Davit Type VW Column 5 Radius 1500mm WLL300kg	25-30kg	300	2392	2107	1991	1500	474	1026	1503
TDVWA51700	T-Davit Type VW Column 5 Radius 1700mm WLL150kg	20-25kg	150	2403	2118	2209	1700	474	1226	1721
TDVWA52000	T-Davit Type VW Column 5 Radius 2000mm WLL150kg	20-25kg	150	2417	2132	2483	2000	474	1526	1995

TDVWA41200	T-Davit Type VW Column 4 Radius 1200mm WLL300kg	25-30kg	300	2068	1783	1718	1200	474	726	1230
TDVWA41500	T-Davit Type VW Column 4 Radius 1500mm WLL300kg	25-30kg	300	2082	1797	1991	1500	474	1026	1503
TDVWA41700	T-Davit Type VW Column 4 Radius 1700mm WLL150kg	20-25kg	150	2093	1808	2209	1700	474	1226	1721
TDVWA42000	T-Davit Type VW Column 4 Radius 2000mm WLL150kg	20-25kg	150	2107	1822	2483	2000	474	1526	1995

TDVWA31200	T-Davit Type VW Column 3 Radius 1200mm WLL300kg	25-30kg	300	1753	1468	1718	1200	474	726	1230
TDVWA31500	T-Davit Type VW Column 3 Radius 1500mm WLL300kg	25-30kg	300	1767	1482	1991	1500	474	1026	1503
TDVWA31700	T-Davit Type VW Column 3 Radius 1700mm WLL150kg	20-25kg	150	1778	1493	2209	1700	474	1226	1721
TDVWA32000	T-Davit Type VW Column 3 Radius 2000mm WLL150kg	20-25kg	150	1792	1507	2483	2000	474	1526	1995

Kingpin height - 220mm. Diameter 63.5mm.