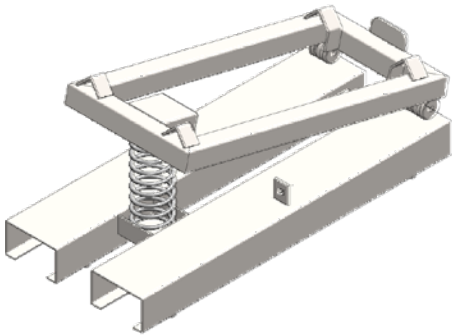


TILTING DRUM STAND DTS60 SPECIFICATIONS



The DTS60 Drum Tilter is designed to effortlessly allow discharge of liquid from a standard 205L drum. As the volume of liquid contained in the drum reduces the spring mechanism will raise the rear of the container to an incline of up to 10 degrees.

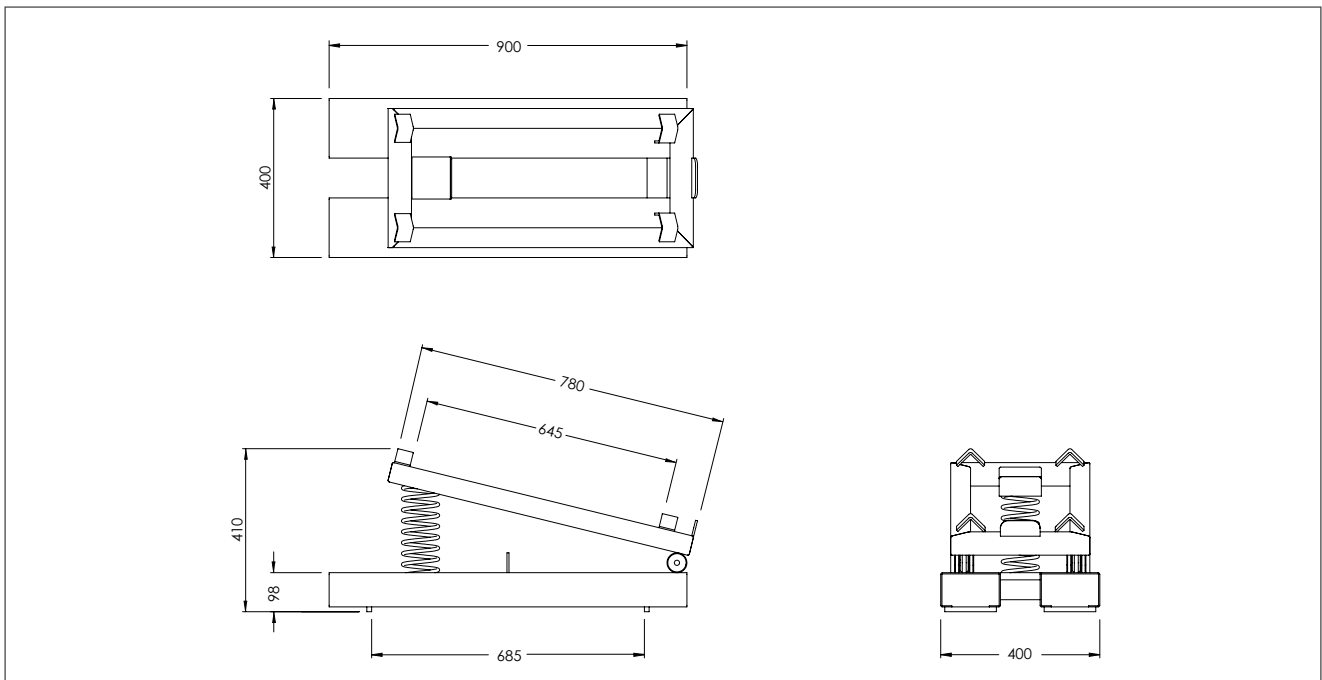
Features:

- 10° tilt allows decanting directly from a standard 205L drum
- Tie down points allow drum to be secured for transport and storage
- Fork pockets fitted for easy handling and positioning around the workplace by forklift
- Designed for storage in pallet racking
- Zinc-plated finish



Combined with DSF01 Drum Rack

Working Load Limit (WLL)	500kg
Overall Dimensions	900(l) x 400(w) x 410(h) mm
Unit Weight	30kg



Australia Wide Sales & Service

sales@materialshandling.com.au | www.materialshandling.com.au | 1300 25 84 07

MATERIALS
Handling PTY LTD *Working with ease.*