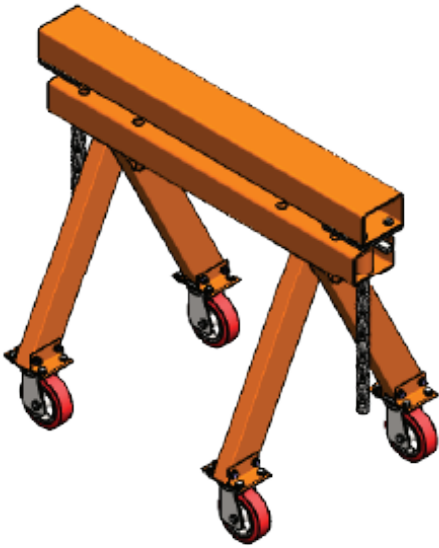


SUPPORT TRESTLE ATSJW SPECIFICATIONS

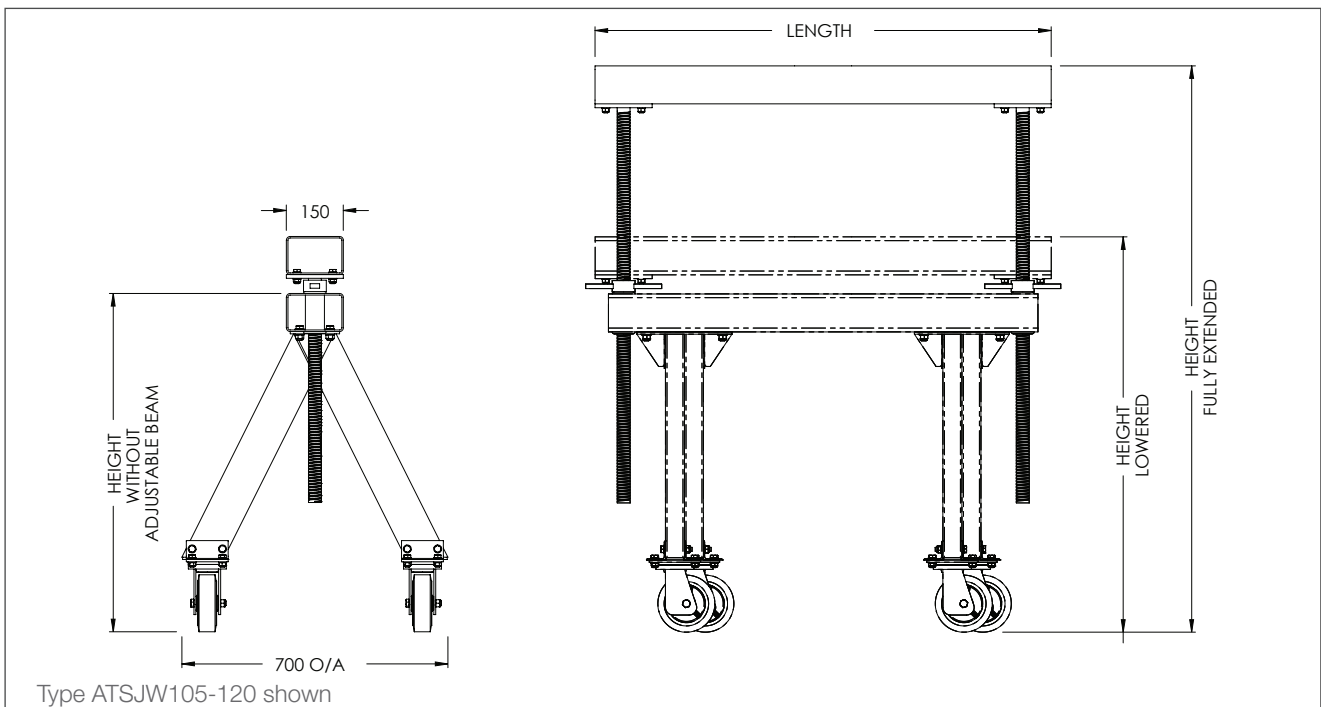


ATSJW Support Trestle with adjustable height and wheels is designed to safely support industrial loads around the workplace or construction site. These heavy duty steel units come in a range of sizes to suit various applications.

Features:

- Heavy duty steel construction for maximum load support
- Adjustable height
- Lockable wheels allow manoeuvrability around the workplace
- Easy to assemble
- Optional rubber profiles (ATR120) available to help prevent load damage and movement. Up to 3 rubber channels can be fit across the width of a trestle
- Available in standard models (ATS)
- Available in standard models with lockable wheels (ATSW) for mobility around the workshop
- Available in models with adjustable height (ATSJ) only
- Design & engineered to relevant Australian Standards
- Enamel paint finish

Supplied standard as flatpack (for on-site assembly)



Model	Distributed Load (kg)	Concentrated Load (mm)	Length (mm)	Height Without Adj. Beam (mm)	Height Lowered (mm)	Height Extended (mm)	Unit Weight (kg)
ATSJW105-120	2000	1000	1200	890	1050	1500	81
ATSJW125-120	2000	1000	1200	1090	1250	1700	90

NOTE: Optional ATR120 Rubber profile channels are supplied in 1.2m lengths. 2 units required for 2.4m long trestles