

SUPPORT TRESTLE ATSJ SPECIFICATIONS

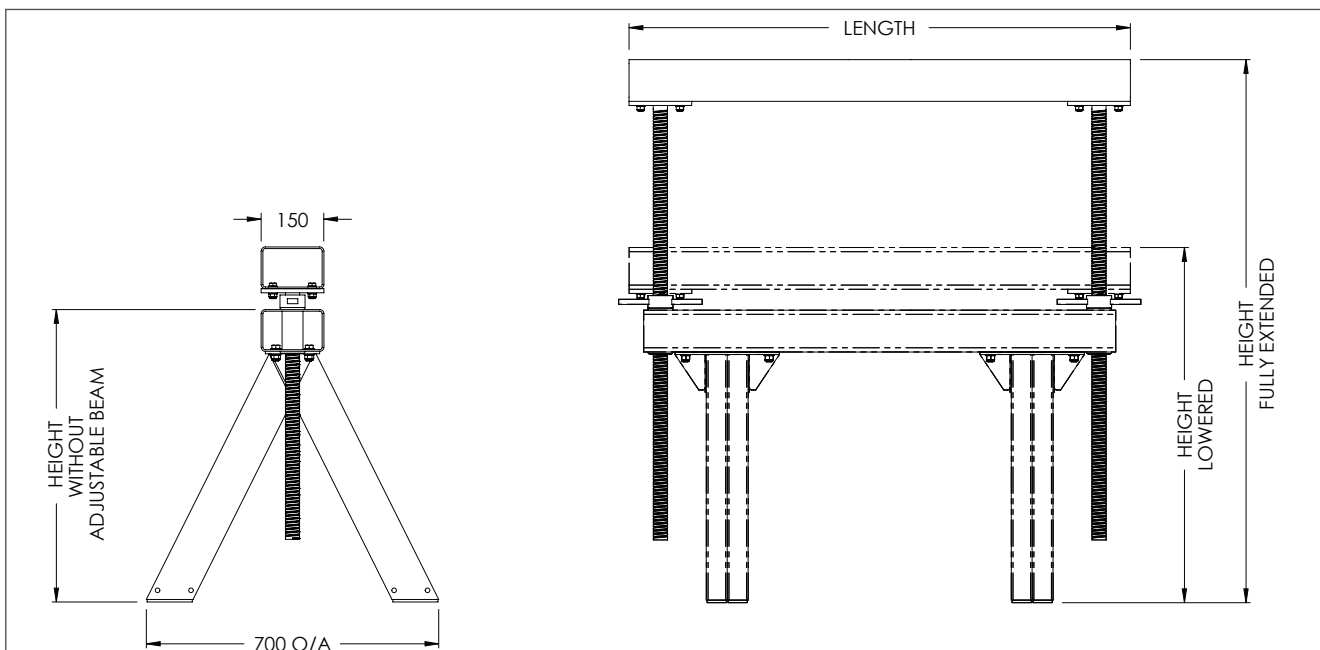


ATSJ Support Trestle with adjustable height is designed to safely support industrial loads around the workplace or construction site. These heavy duty steel units come in a range of sizes to suit various applications.

Features:

- Heavy duty steel construction for maximum load support
- Adjustable height
- Easy to assemble
- Optional rubber profiles (ATR120) available to help prevent load damage and movement. Up to 3 rubber channels can be fit across the width of a trestle
- Available in standard models (ATS)
- Available in models with lockable wheels (ATSW) for mobility around the workshop
- Available in models with adjustable height and lockable wheels (ATSJW) for complete flexibility
- Design & engineered to relevant Australian Standards
- Enamel paint finish

Supplied standard as flatpack (for on-site assembly)



Type ATSJ85-120 shown

Model	Distributed Load (kg)	Concentrated Load (mm)	Length (mm)	Height Without Adj. Beam (mm)	Height Lowered (mm)	Height Extended (mm)	Unit Weight (kg)
ATSJ85-120	2000	1000	1200	700	850	1300	65
ATSJ105-120	2000	1000	1200	900	1050	1500	75

NOTE: Optional ATR120 Rubber profile channels are supplied in 1.2m lengths. 2 units required for 2.4m long trestles