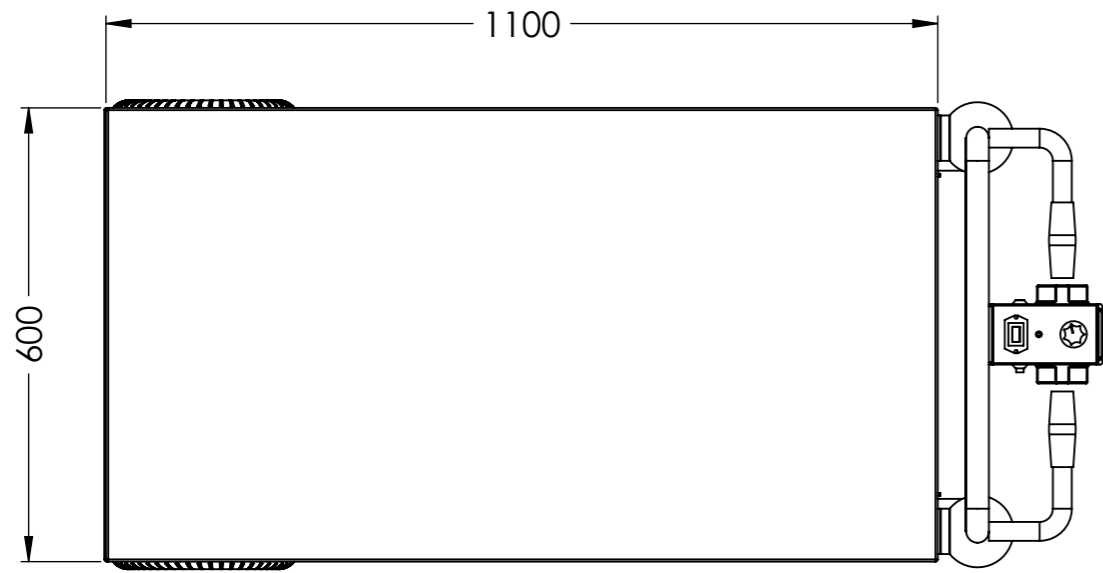
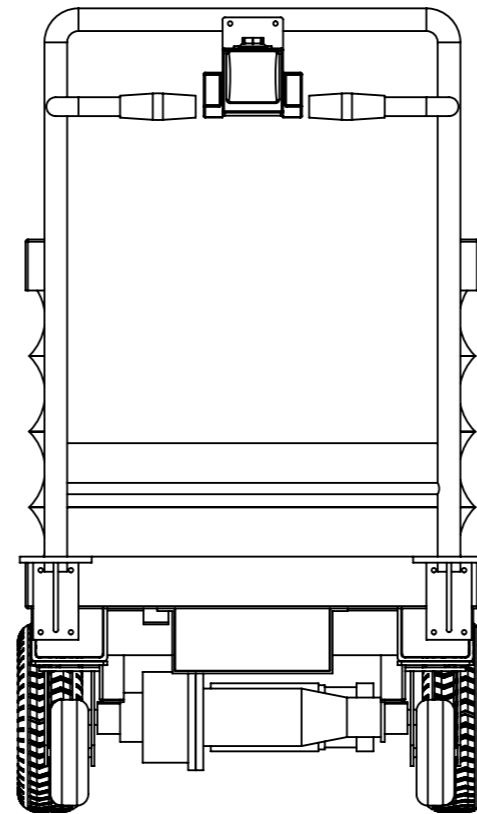
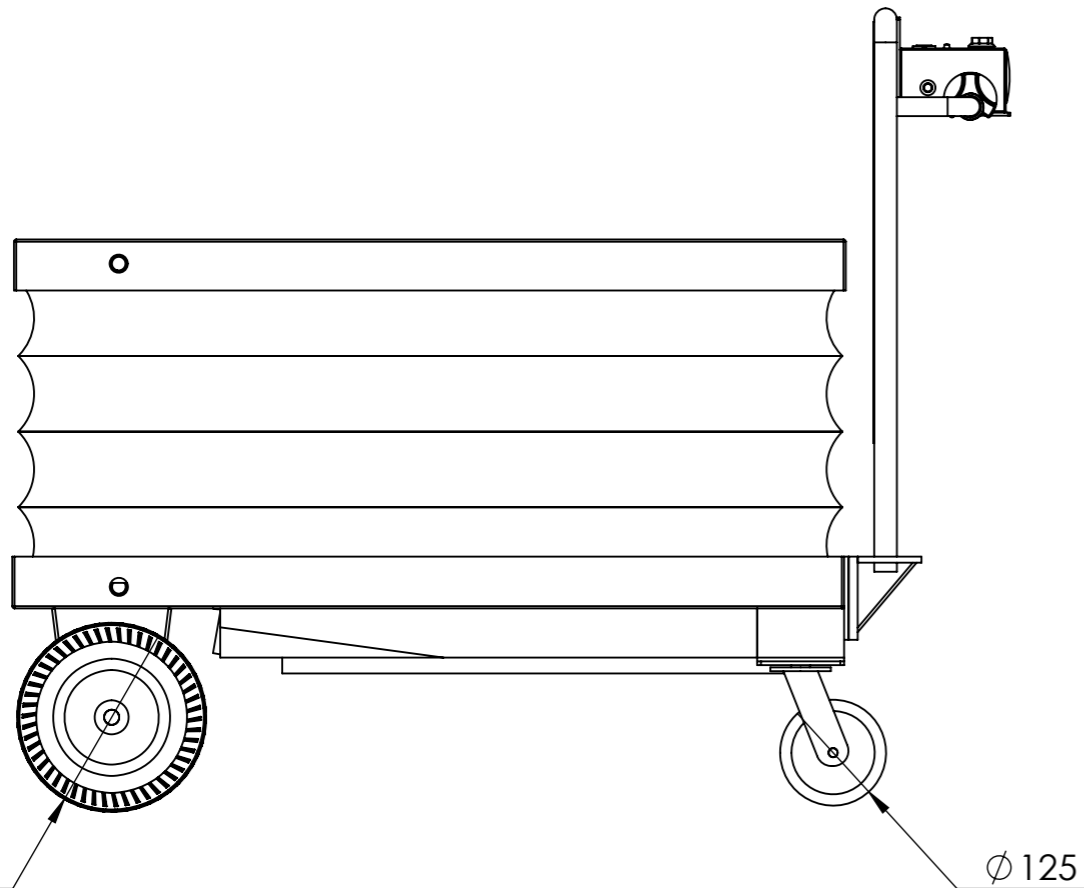
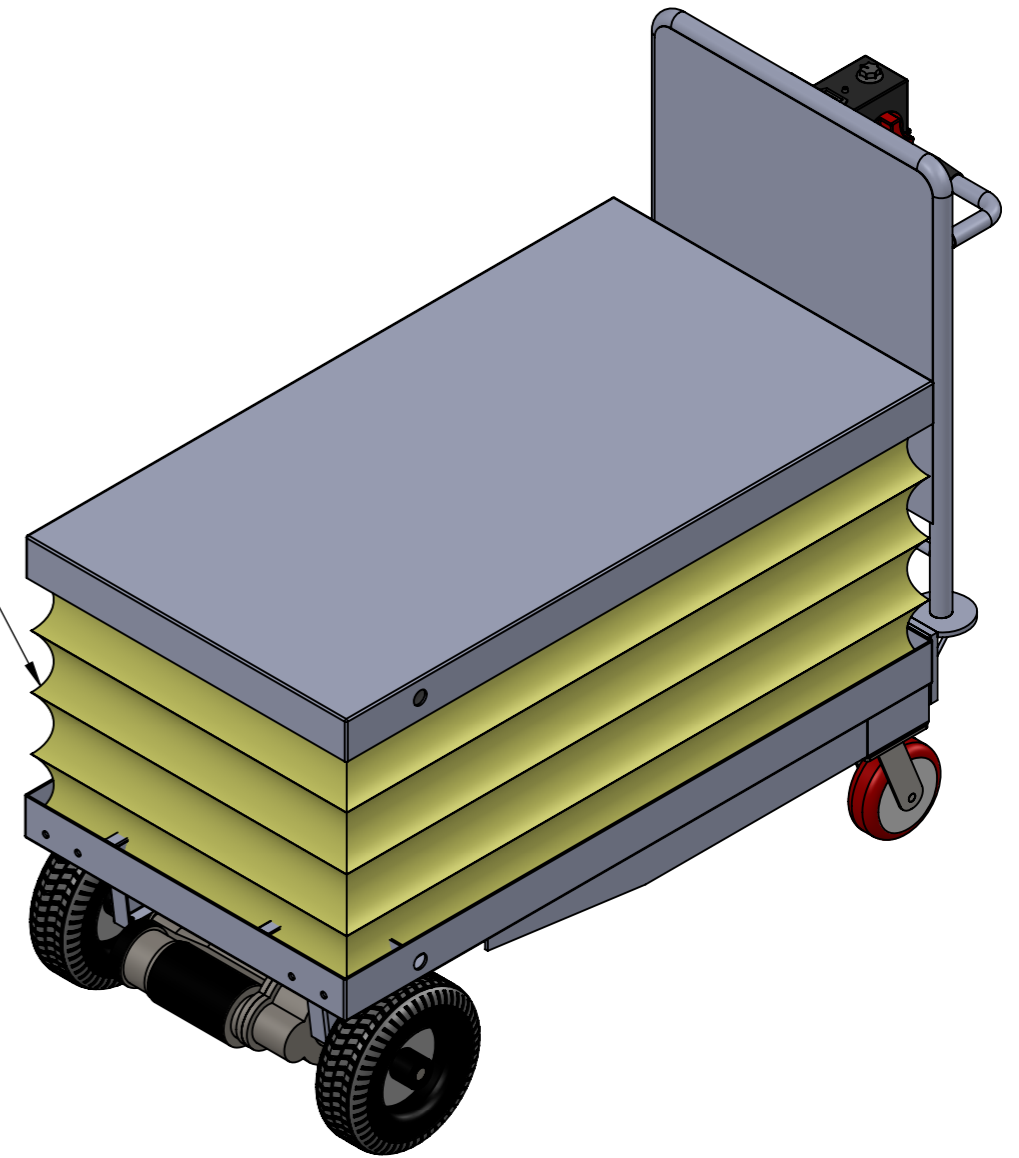


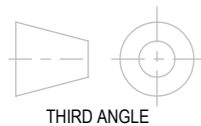
A B C D E F G H I J K L M N O P Q R S T



CONCERTINA CURTAIN OPTION



- SPECIFICATIONS:**
- CAPACITY: 450 KG
 - UNIT WEIGHT: 258 KG
 - LIFT RANGE: 452 - 1600 MM
 - OPTION: CONCERTINA SAFETY CURTAIN



THIRD ANGLE

CLIENT:	DRAWING DESCRIPTION:
	LIFTMATE
MATERIALS Handling <small>PTY LTD</small> <i>Working with ease.</i>	DWG No.:
SCALE: TBA	SHEET No. 1 OF 1
LAST EDITED BY: MJB	LAST EDITED: Monday, 23 May 2016 10:14:40 AM

1
2
3
4
5
6
7
8
9
10
11
12
13
14

A3