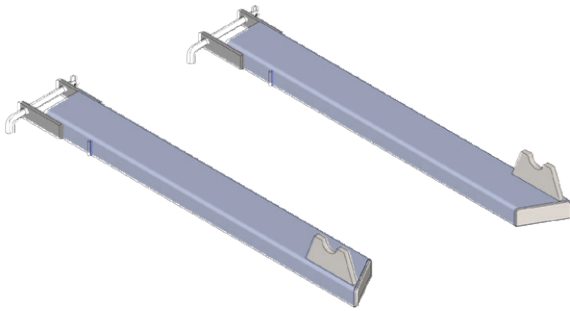


FORKLIFT CABLE DRUM SLIPPERS SPECIFICATIONS



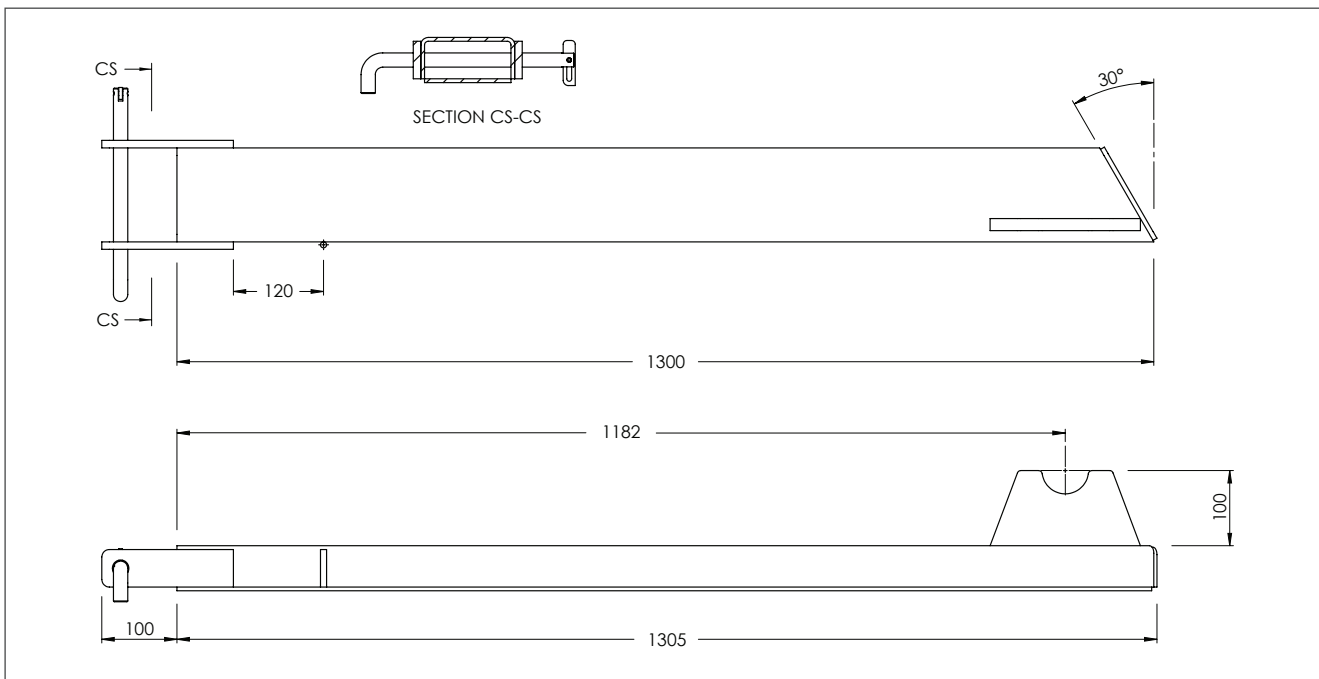
The MDCS Cable Drum Slippers are designed to safely lift, transport cable drums by forklift.

Features:

- Cradle to suit up to 50mm diameter spindles
- 1200 long x 48mm diameter spindle supplied
- Supplied with toggle locking pins for securing to forks
- 3 models available to suit fork arm size and capacity
- Ideal for heavy or large diameter cable spools
- Enamel paint finish



Model	Working Load Limit (kg)	Load Centre (mm)	Length (mm)	Max. Tine Size (mm)	Max Tine Length (mm)	Ext. Slipper Height (mm)	Weight / Pair (kg)
MDCS1	1000	1200	1300	100 x 45	1220	60	34
MDCS2	1500	1200	1300	130 x 50	1220	67	50
MDCS3	2000	1200	1300	155 x 55	1220	72	60



NOTE: This unit is made to order and non returnable. Please ensure fork tines are measured to ensure correct fit.

The MDCS1 suits a maximum 100x45mm fork size. For fork sizes above this (even if you have a 2.5T forklift), you must order the next size up. For example a 2.5T Forklift fitted with 125x45mm fork size suits the MDCS2.

Australia Wide Sales & Service

sales@materialshandling.com.au | www.materialshandling.com.au | 1300 65 00 35

MATERIALS
Handling PTY LTD *Working with ease.*