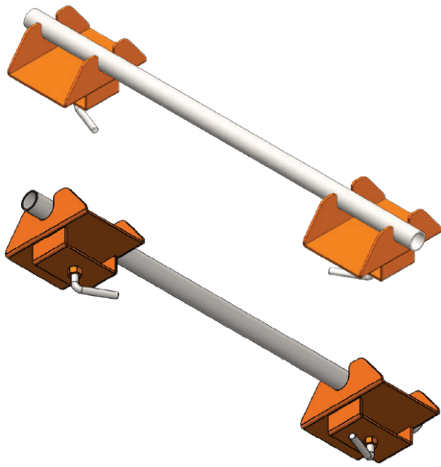


FORKLIFT CABLE DRUM CRADLE SPECIFICATIONS



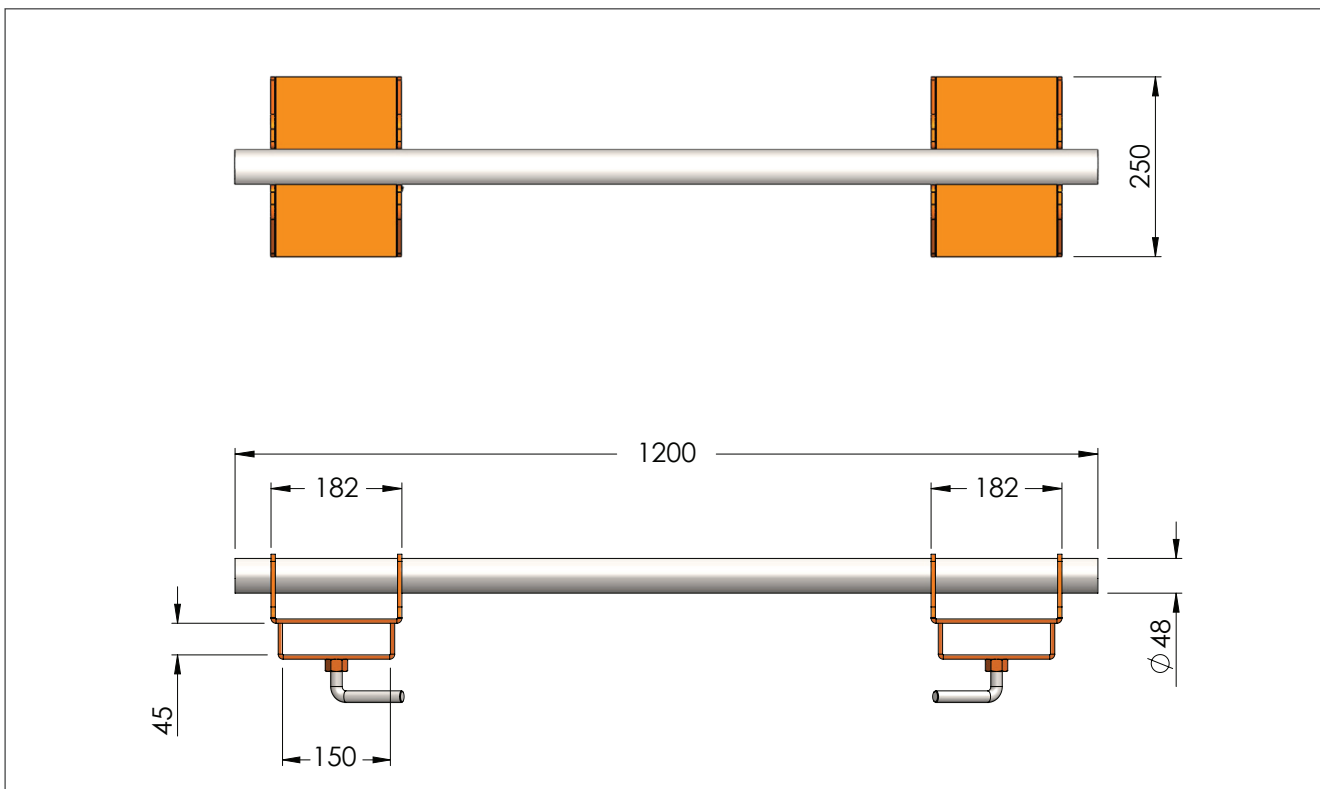
The MDFS2 Cable Drum Cradle is designed to be secured to the tines of a forklift as an affordable solution to transport cable drums by forklift.

Features:

- Ideal for carrying heavy or large diameter cable spools
- Cradle to suit up to 50mm diameter spindles
- Supplied with a 48 DIA x 1200mm long spindle
- Locking bolt safely secures the drum cradle in position on forks
- Supplied as a pair
- Enamel paint finish



Working Load Limit (WLL)	2000kg
Saddle to suit	up to 50mm DIAM spindle
Max. Fork Arm Width	130mm
Unit Weight	30kg / pair
Fork Pocket Size	150 x 45mm



NOTE: This unit is designed for carrying of loads only, not dispensing.

Australia Wide Sales & Service

sales@materialshandling.com.au | www.materialshandling.com.au | 1300 65 00 35

MATERIALS
Handling PTY LTD *Working with ease.*