
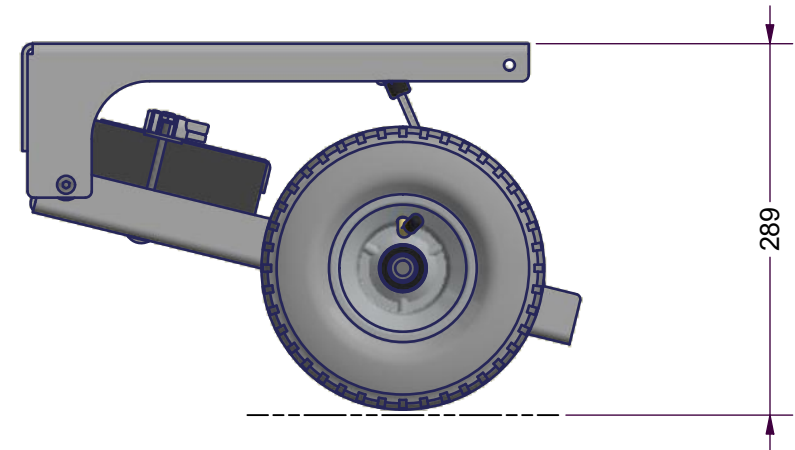
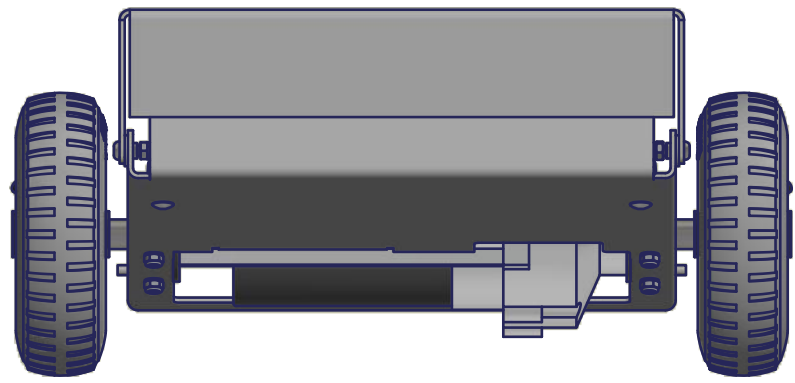
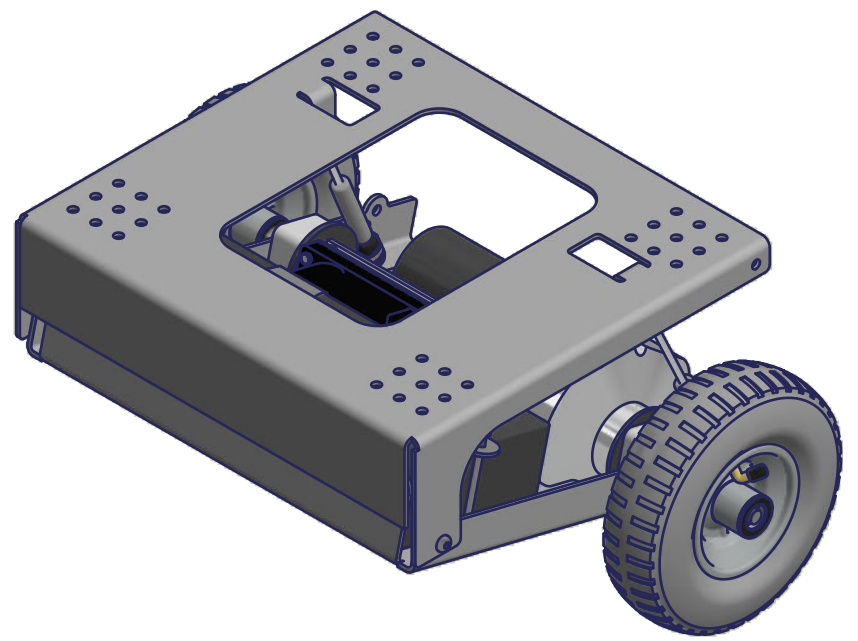
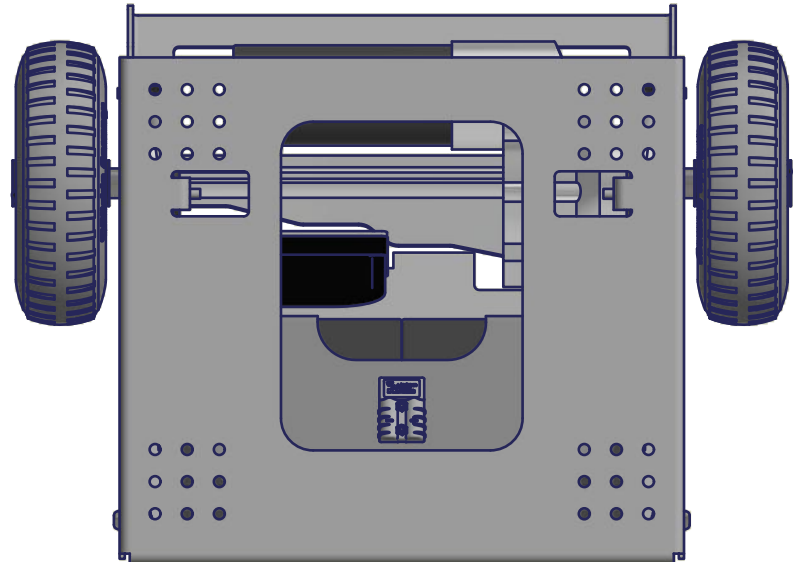

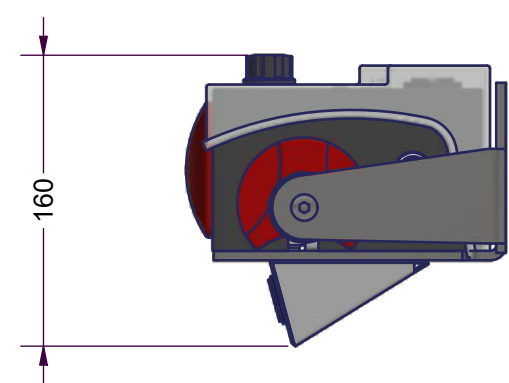
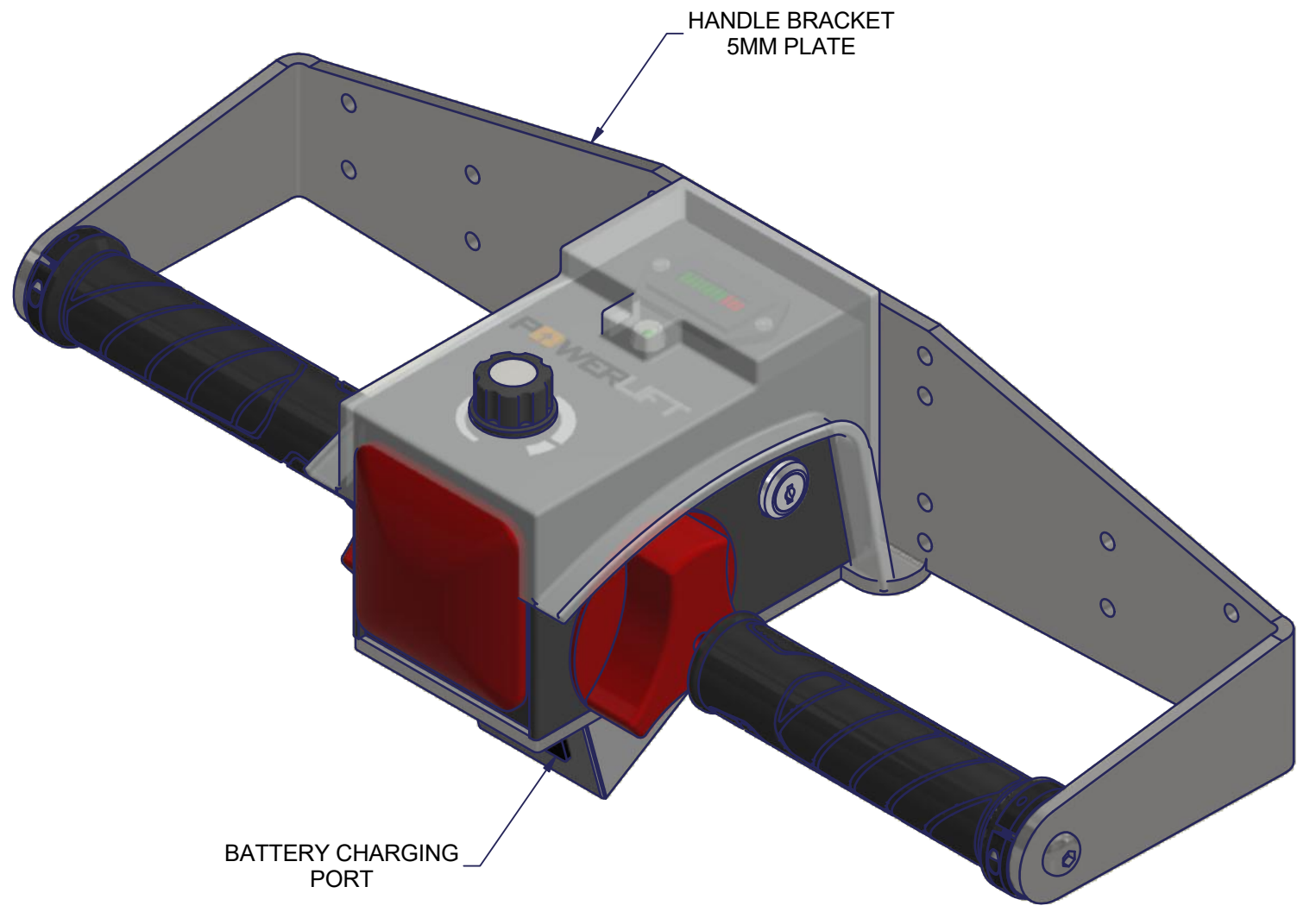
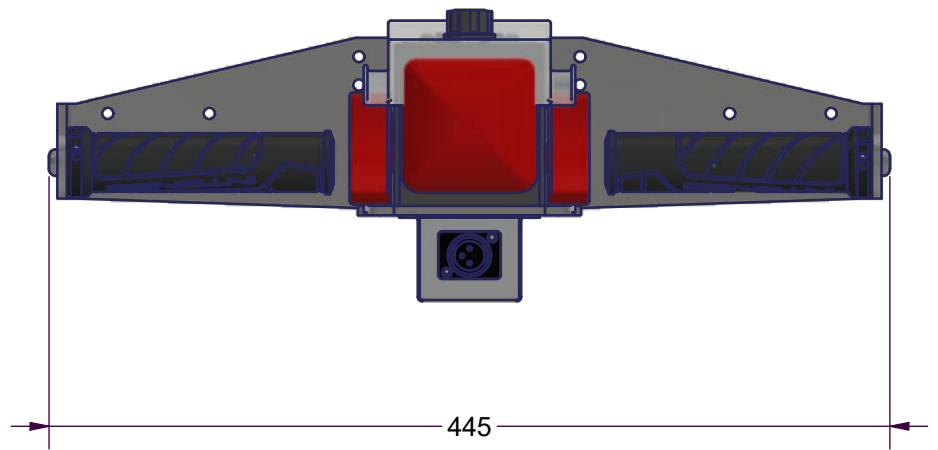
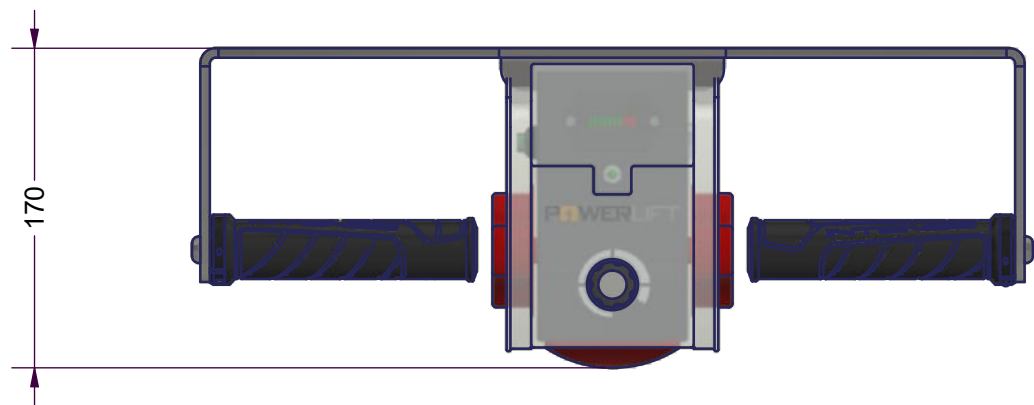
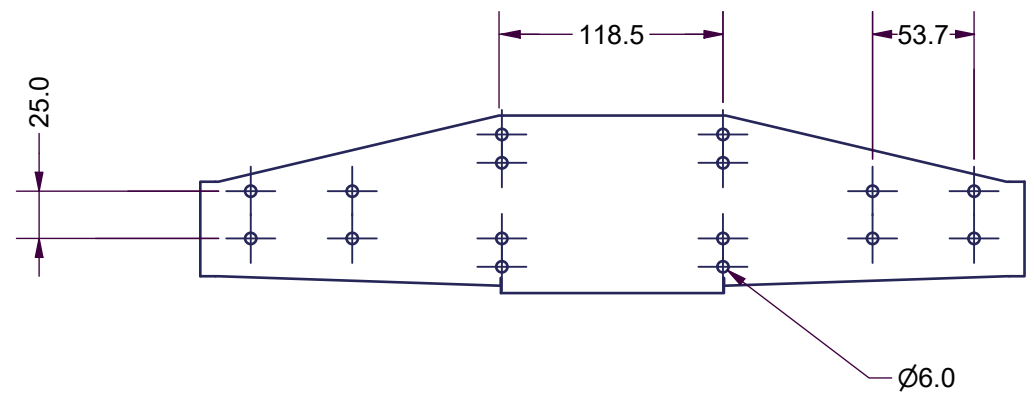



Project			BOLT ON DRIVE UNIT [CLOSED] GENERAL ARRANGEMENT				
Status		Date					
Drawn	DC	6/09/2012					
			Drawing Number	Sheet 1 of 3	Rev.		
			Client	Part Number DCDU-001	A3	A	



Project			BOLT ON DRIVE UNIT [OPEN] GENERAL ARRANGEMENT				
Status		Date					
Drawn	DC	6/09/2012					
			Drawing Number	Sheet 2 of 3	Rev.		
			Client	Part Number DCDU-001	A3	A	

Copyright. Information Disclosed in this document is Confidential and shall not be reproduced, copied or distributed without express permission.



Project			HUMAN INTERFACE WITH HANDLE BRACKET GENERAL ARRANGEMENT		
Status		Date			
Drawn	DC	6/09/2012	Drawing Number		Sheet 3 of 3
			Part Number DCDU-001		Rev. A
			Client		A3

Copyright. Information Disclosed in this document is Confidential and shall not be reproduced, copied or distributed without express permission.