

Vacuum Load Lifting Devices

The FEZER vacuum load lifting devices convince by their robust design, their long-life cycle and above all by their easy handling combined with high safety features.

They increase the efficiency and profitability of production processes as well as work safety and ergonomoy. Using vacuum load lifting devices relieve the operators and prevent a high illness rate caused by overwork.

FEZER vacuum load lifting devices support your daily work, increase the productivity and work safety combined with comparably low investment costs. Look and see.

Introduction.....	33/38
VacuBoy	39/54
VacuGiant	55/64
VacuCoil	65/72
VacuWood	73/76
VacuPoro	77/78

Vacuum Load Lifting Devices

Introduction

Areas of Application

The individual device series is designed for various applications and ensure a process-safe and economical production run. With the help of vacuum technology workpieces can not only be easily and fast engaged but also be transported damage-free and safely. For these reasons the lifters are being used in many fields of industry:

- Handling of aluminum, steel, glass, chipboard and plastic plates
- Handling of coils and split strips
- Transport of wood, gluelam beams, chipboards, MDF and OSB plates
- Feeding of CNC, punching and nipple machines
- Commissioning, putting into and out of storage
- Used in roller mills, automobile industry, wind energy, aeronautics, stone and concrete industries

Unique Safety Concept

All device series are absolutely safe, reliable and correspond to the current DIN EN 13155. Largely dimensioned vacuum safety tanks and integrated warning units ensure the highest operational safety, also in case of a power failure.

Additionally all manually operated FEZER lifters are equipped with the unique „Main Switch Supervision“. This feature sends out a warning signal should loads become engaged solely by the remaining vacuum in the tank while the main switch is off. This supervision sets new standards on vacuum load lifting devices when it comes to operational safety.



FEZER
Simply move more.

VacuBoy in Action

- 1 Feeding a laser cutter with the help of a VacuBoy
- 2 Transport of metal sheets by a VacuBoyMini in power-independant battery design
- 3 VacuBoy for commissioning steel sheets
- 4 VacuBoy VB-180E for turning over furniture parts

Basic Equipment

FEZER vacuum lifters convince by their clever design. The lifters can be adjusted to individual customer's requirements and desires easily and problem-free. The devices have very high safety and comfort features as a standard:

Safety:

- Main switch supervision on lifters with handslide valves (warning signal when loads are engaged with turned-off main switch)
- Large-dimensioned safety tank integrated in the lifter's main beam
- Non-return valve between vacuum generator and safety tank
- Manual vacuum control by lockable handslide valve
- Vacuum gauge with „red-green“ area for visual supervision
- Acoustic warning unit for decrease of vacuum and power failure
- Large-dimensioned vacuum filter to protect the valves and pumps

Comfort:

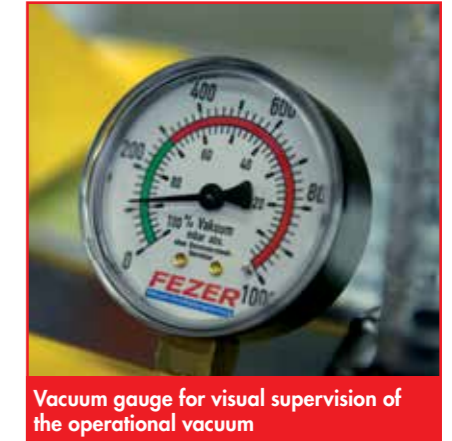
- Push-buttons with emergency-off on lifters with electrical movements (swivelling, turning over, or rotation)
- Various suction pads for smooth, rough or grooved surfaces
- Movable suction pads to adjust to varying workpiece dimensions



Main switch surveillance by vacuum switch in distribution line



Acoustic warning unit goes off in case of vacuum decrease or power failure



Vacuum gauge for visual supervision of the operational vacuum



Non-return valve to prevent a venting via the pump in case of a power failure



Vacuum safety tank for short suction times and safety in case of power failure



Manual vacuum control via handslide valve with arrest



Large-dimensioned dust filter with exchangeable filter cartridge



Manipulating handle with push-buttons and emergency-off on lifters with electrical movements



Suction pads with cross clamping piece to adjust on the cross beam



Mounting element with clamping screw to adjust the cross beam



Manifold selection of suction pads for different surfaces



Powerful, robust and low-maintenance pumps for highest safety

Options

The lifters can be additionally equipped with a multitude of options to meet your individual safety and comfort requirements:

Safety:

- Optical warning unit with large green and red lamp for „ready for operation“ and „malfunction“ and acoustic howler on power failure
- Disposal stands to protect the suction pads when lifter is set down

Comfort:

- Electrical vacuum control with two-hand operation via push-buttons
- Switching automatic with alternate suction and release activation
- Universal holder for crane pendants with Velcro fastener
- Electrical control functions by push-buttons for crane movements
- Vacuum-controlled motor switch to save energy and reduce the noise level

Further Options:

- Swivel feature with angle adjustment of the manipulating handle
- Water separator for use on water jet machines
- Battery pack for operation independant of power
- Air pack with pneumatical warning unit for compressed air operation



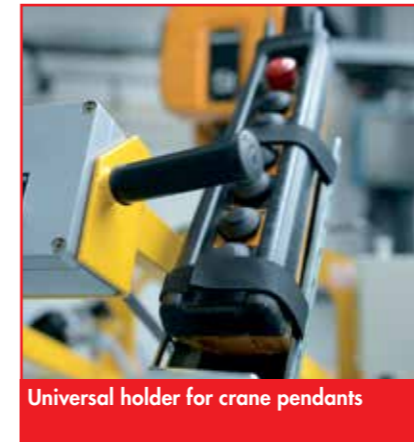
Optical warning unit with green and red lamp and howler for power failure



Electrical vacuum control via solenoid valve



Switching automatic with automatic suction and release on setting down



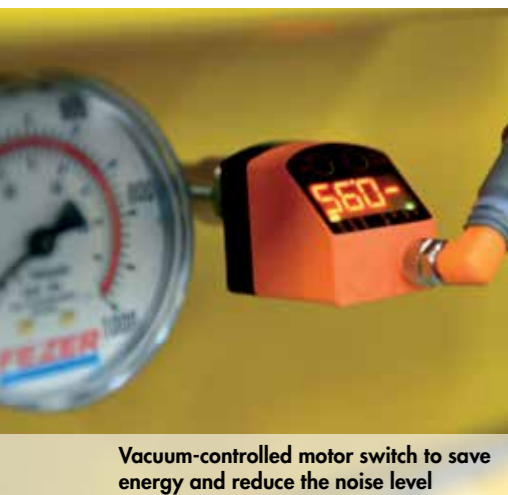
Universal holder for crane pendants



Direct control of crane movements via push-buttons on the manipulating handle



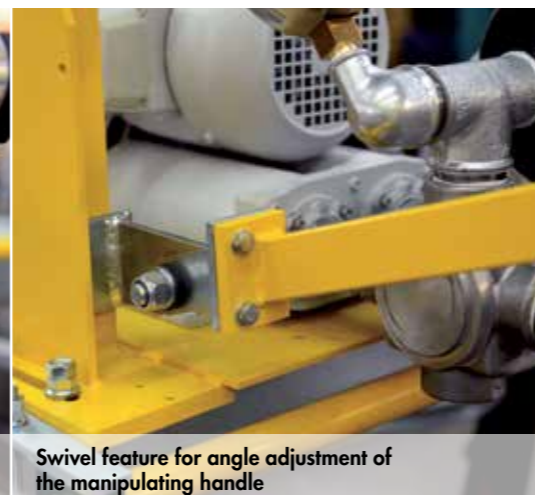
Disposal stands for safe parking of the lifter and protection of the suction pads



Vacuum-controlled motor switch to save energy and reduce the noise level



Water separator with manual drain for outdoors use or on water jet machines



Swivel feature for angle adjustment of the manipulating handle



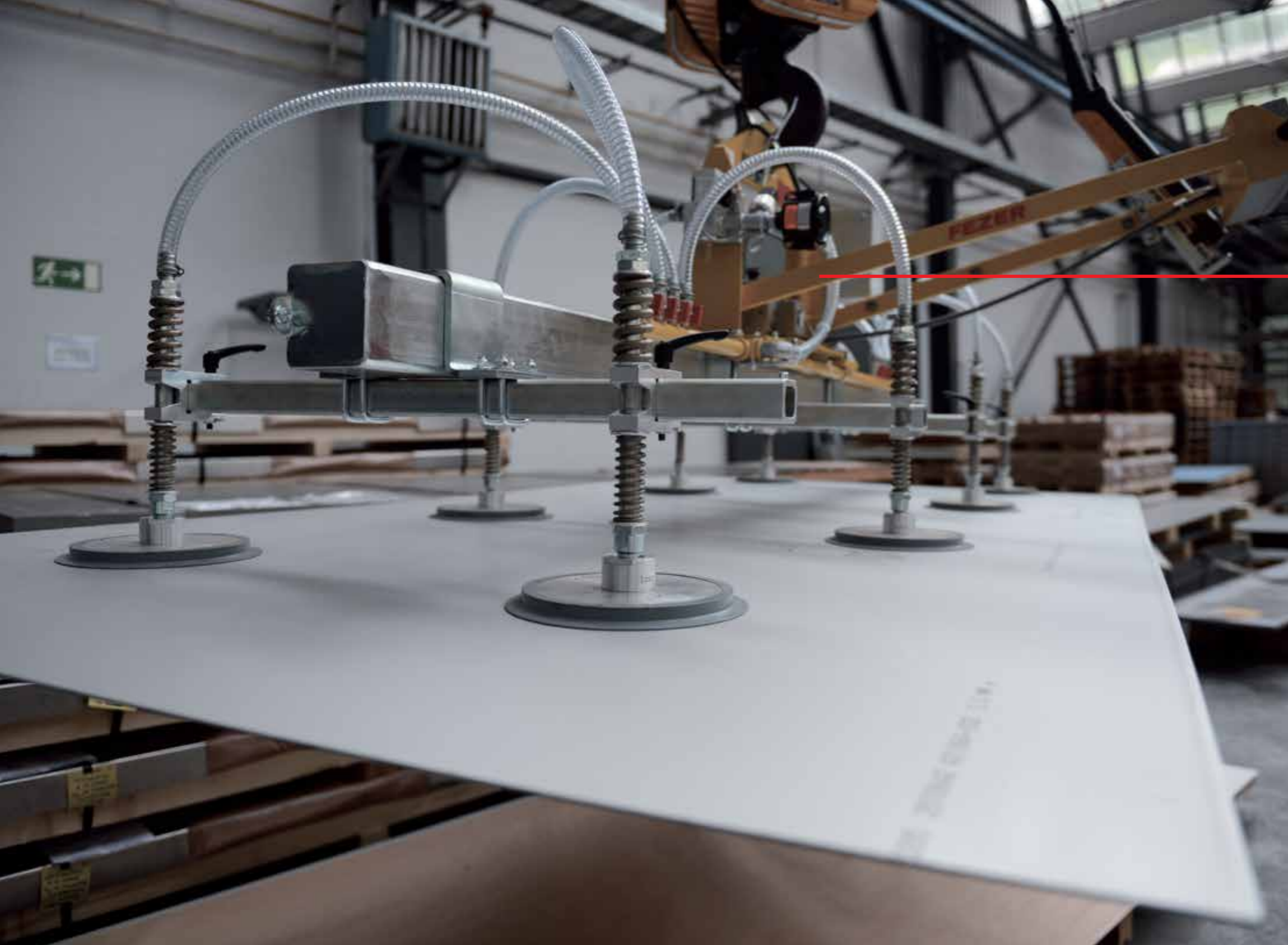
Ball valves to switch individual suction pads on and off



Air Pack: strictly running on compressed air via ejector and pneumatical warning unit



Battery Pack: power-independant operation via 24V pump and batteries



VacuBoy

Standard vacuum lifters for handling plate materials with dense, flat or structured surfaces and a weight of up to 2.000 kg.

Depending on the requirements the designs vary from strictly horizontal, swivelling or turning over of workpieces as well as special designs for individual solutions.



VacuBoy	41/42
VacuBoy90E	43/44
VacuBoy180E	45/46
VacuBoyMini	47/48
VacuBoyVario	49/50
VacuBoyAkku	51/52
Application Examples	53/54

Vacuum Load Lifting Devices

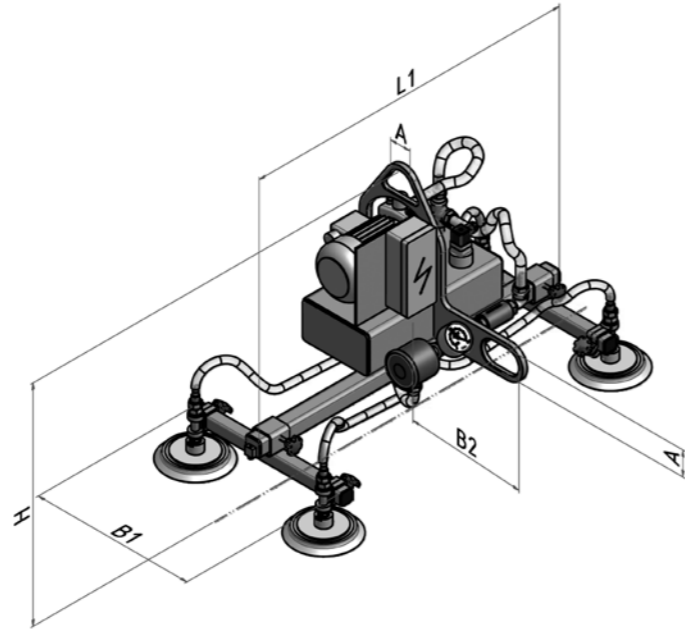
VacuBoyMini VBM

The Lightweight up to 500 kg

The compact design and low own weight make the VacuBoyMini the ideal partner for handling stable loads. Available are single suction pads or attachments with several pads which covers a large application spectrum.

Additionally the lifter can be equipped with a quick-change coupling which allows a fast exchange of pads and attachments.

- Feeding of CNC machines
- Handling of drums and crates
- Handling of glass and window elements



FEZER
Simply move more.

Capacity (kg)	Type	Workpiece dimensions		Pump	Number of suction pads	L1 (mm)	B1 (mm)	B2 (mm)	H (mm)	A (mm)	Own weight (kg)
		max (mm)	min (mm)								
125	VBM-1	2.500 x 1.250	400 x 400	T 4.8	1	250	250	270	450	60	20
125	VBM-2/4	2.500 x 1.250	1.000 x 400	T 4.8	2 ... 4	1.200	400	270	550	60	25 ... 30
250	VBM-1	2.500 x 1.250	400 x 400	T 4.8	1	250	250	270	450	60	22
250	VBM-2/4	2.500 x 1.250	1.000 x 400	T 4.8	2 ... 4	1.200	400	270	550	60	27 ... 32
500	VBM-1	2.500 x 1.250	400 x 400	T 4.8	1	250	250	270	450	60	30
500	VBM-2/4	2.500 x 1.250	1.000 x 400	T 4.16	2 ... 4	1.200	400	270	550	60	30 ... 35

VacuBoyMini VBM in Action

- 1 Handling of aluminum blocks up to 250 kg
- 2 With fourfold attachment for the transport of steel sheets
- 3 With single suction pad for aluminum plates up to 150 kg
- 4 With air pack and pneumatical warning unit for handling drums

Vacuum Load Lifting Devices

Application Examples



VacuBoy for feeding a laser cutting machine



Special design for lateral engagement of camper roofs with pneumatical adjustment and mechanical undergrippers



VacuBoy for commissioning steel plates up to 2.000 kg



1



2



3



4

FEZER
Simply move more.

VacuBoy in Action

- 1 VacuBoyMini mounted on a pallet truck with 4-pad attachment for simultaneous transport of 4 drums
- 2 Swivelling VacuBoy for handling foil-wrapped sandwich elements
- 3 VacuBoyMini for power-independent operation via batteries for transporting small aluminum blocks
- 4 Strictly vertical lifter for handling camper fronts