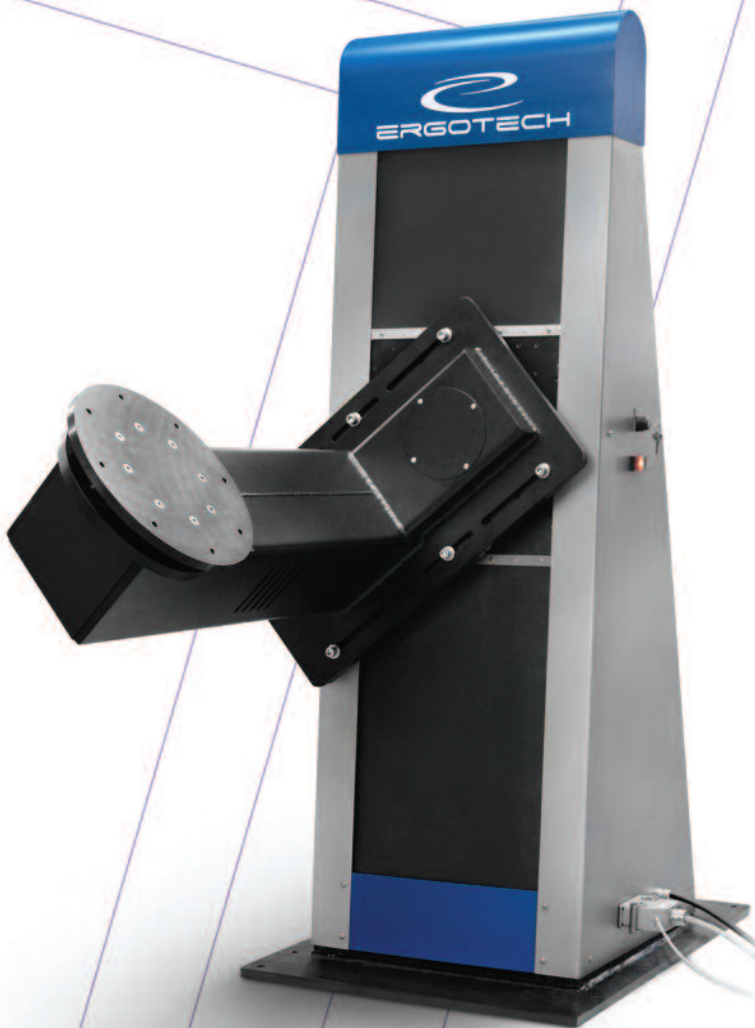


Working with ease...

We Make it
Easy to Position



Ergo Force Motorized Work Positioner

Description

This versatile 3-axis work positioner enables movement of work to any suitable work position.

Application

Ergo Force is ideal for secure positioning of any object for any project, no matter what size or shape. This motorized work positioner offers unlimited applications in any industry and is advantageous in any shop or work area.

Ergonomic Benefit

- Eliminate employee strain, fatigue and injury.
- Create a safer and more productive work environment.
- Allows easy access and worker comfort for any job.

Standard Features

- Designed and built in the USA for the most robust and heavy-duty applications.
- Offers full flexibility to move work to any suitable work position.
- The "L" shaped rotational arm allows easy access to work, comfortably and safely.
- Adaptable to any work fixtures.
- Up, down, tilt and rotation controlled by handheld pendant.
- Safety is assured through foot pedal interlock.
- Manage loads up to 275kg
- Unlimited rotation on Y + Z axes.

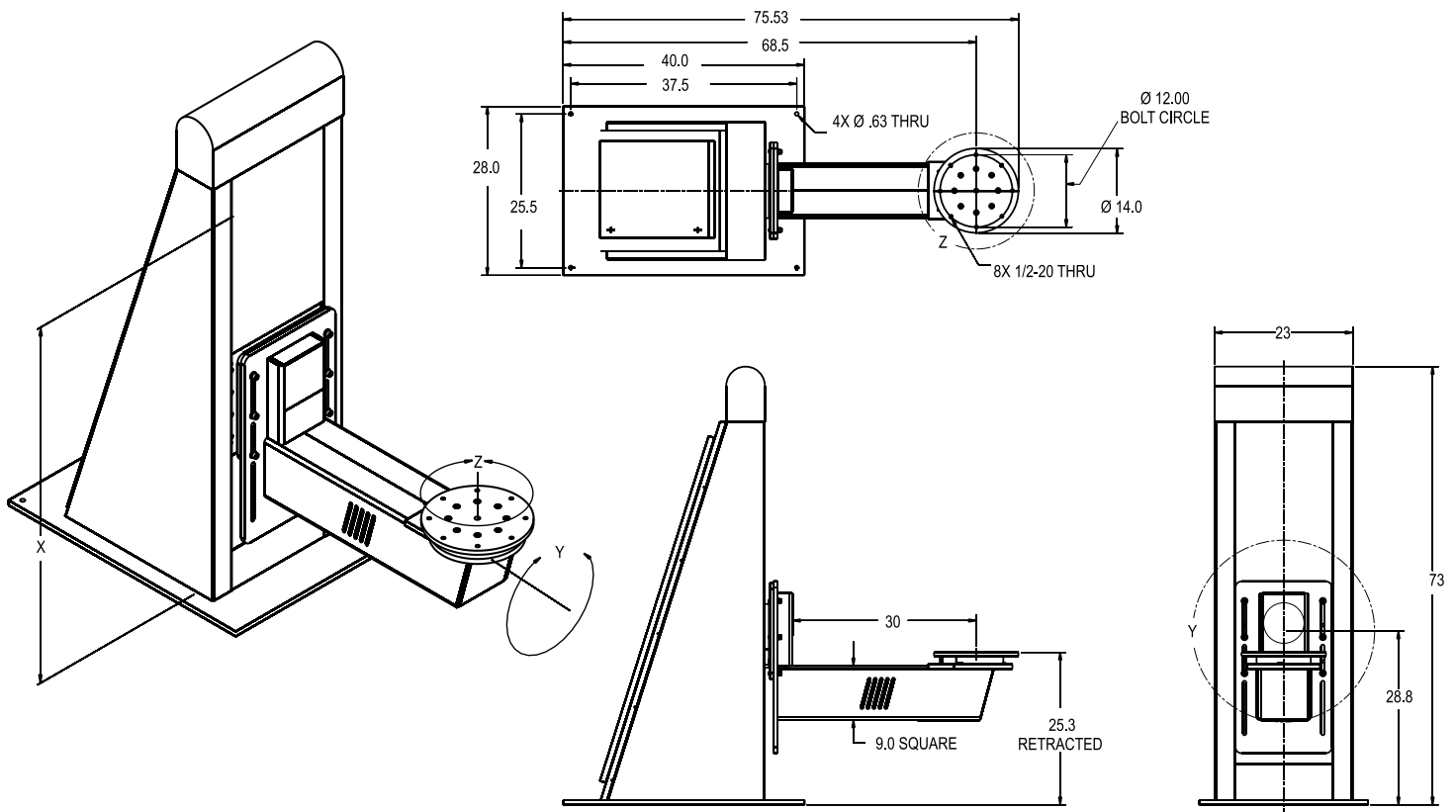
Options

- **Protective Laser Scanner** is placed in front of machine. When the operator is within programmed safety field, the machine is inoperable.

Working with ease...

Technical Information

Max. Load	Arm Length	Base Width	Base Depth	Width	Max. Height	Vertical Travel	Lifting Speed	Y Torque	Rotation Speed Y	Z Torque	Rotation Speed Z	Voltage	Unit Weight
270kg	760mm	710mm	1015mm	585mm	1855mm	640-1280mm	30mm/sec	76kg/m	0-6 RPM	42kg/m	0-5 RPM	240 VAC	500kg



Drawing dimensions are imperial

MATERIALS
Handling *Working with ease...*
PTY LTD

Our website: www.materialshandling.com.au

Phone us: 1300 25 84 07 Fax us: 1800 68 68 96

Email us: sales@materialshandling.com.au

Australia Wide Service