

Working with ease...

We Make it Easy to Position



Ergo Chief® Motorized Rotary Work Positioner

Description

A versatile motorized compact work positioner with variable speed, bi-directional turntable rotation, tilt and work height adjustment.

Application

The Ergo Chief is ideal for secure positioning and rotation of any object for any project, no matter what size or shape. This motorized rotary work positioner offers unlimited applications in any industry and is advantageous in any shop floor or work area.

Ergonomic Benefit

- Eliminate employee strain, fatigue and injury.
- Create a safer and more productive work environment.

Standard Features

- Designed and built in the USA for the most robust and heavy-duty applications.
- Offers full flexibility to move work to any work positions with 360° bi-directional speed rotation.
- Versatile, compact and adaptable to any work fixtures.
- State-of-the-art electronic regenerative variable speed control assures speed accuracy and safe, smooth rotation reversal at any time during operation.
- Turntable easily accepts mounting of any tool, fixture or work part.
- Work-height, tilt and rotation are easily controlled by foot or pendant controls.

Options

- A rotary ground system offers safe welding ground up to 400 Amp.

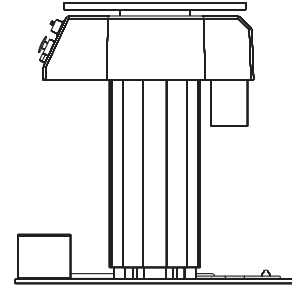
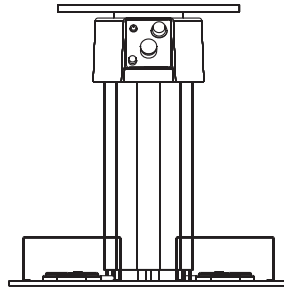
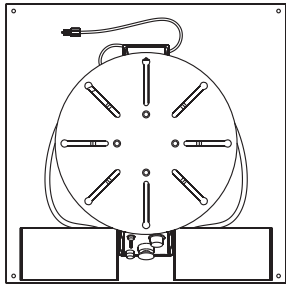
MATERIALS
Handling *Working with ease...*
PTY LTD

Working with ease...

Technical Information

2 - Axis Ergo Chief

Model	Max. Dynamic Capacity (kg)	Turn Torque (kg/m)	Rotation (RPM)	Retracted Height (mm)	Max. Height (mm)	Stroke (mm)	Lift Speed (mm/sec)	Voltage (V)	Amperage (A)	Lift Duty Cycle
EH403H	180	1.15	0 - 11	610	915	305	30	240	5.8	Intermittent Service 20% Duty Cycle
EH404H	180	1.15	0 - 11	710	1120	405	30	240	5.8	

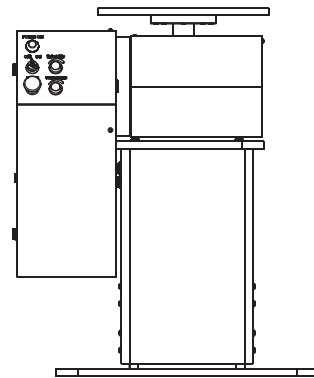
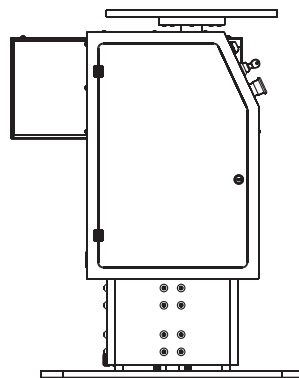
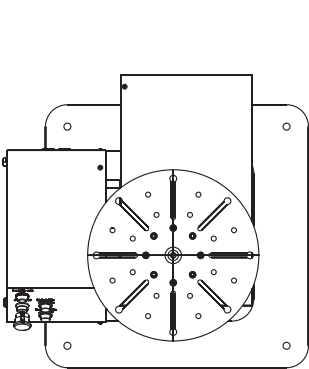


Technical Information

3 - Axis Ergo Chief

Model	Max. Dynamic Capacity (kg)	Turn Torque (kg/m)	Rotation (RPM)	Tilt Torque (kg/m)	Tilt Rotation (RPM)	Retracted Height (mm)	Max. Height (mm)	Stroke (mm)	Lift Speed (mm/sec)	Voltage (V)	Amperage (A)	Lift Duty Cycle
EH403T	180	25	0 - 18	93	0 - 5	850*	1150*	305	15	240	12.0	Intermittent Service 20% Duty Cycle

* Center of turntable



MATERIALS
Handling *Working with ease...*
PTY LTD

Our website: www.materialshandling.com.au
 Phone us: 1300 25 84 07 Fax us: 1800 68 68 96
 Email us: sales@materialshandling.com.au
Australia Wide Service