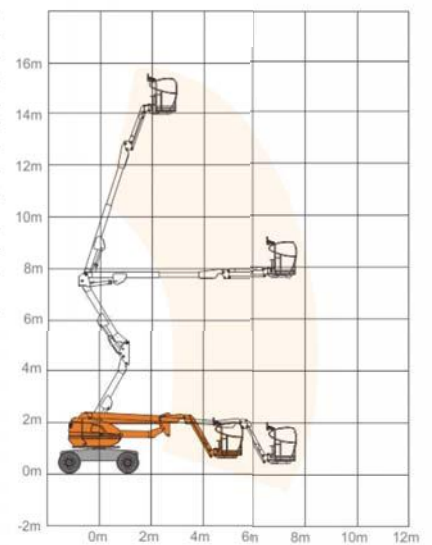
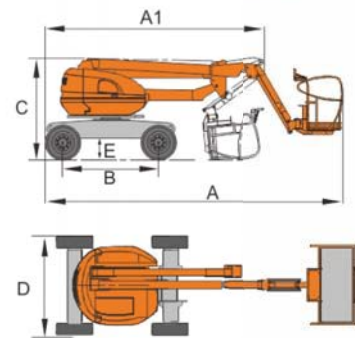




	BA14J-AWD	BA16J-AWD
S.W.L	230kg	230kg
Max. occupants	2	2
Working height	16.00m	18.00m
Platform floor height	14.00m	16.00m
Max. horizontal reach	7.47m	8.85m
Turntable tailswing	0	0
Up and over clearance	7.67m	8.45m
Overall length	6.94m	7.59m
Length (transport position)	5.15m	5.80m
Overall width	2.30m	2.30m
Overall height	2.33m	2.33m
Platform size	1.8mx0.76m	1.8mx0.76m
Ground clearance	0.36m	0.36m
Wheelbase	2.20m	2.20m
Turning radius		
Inside/Outside	2.85m/4.29m	2.85m/4.29m
Turret rotation	360° continuous	360° continuous
Basket rotation	160°	160°
Jib movement	+70° / -60°	+70° / -60°
Engine		
Kubota V2403-M-DI	35kw/2400 rpm	35kw/2400rpm
Travel speed Stowed	6.1km/h	6.1km/h
Raised or extended	≤1.1km/h	≤1.1km/h
Wind Rated	12.5m/s	12.5m/s
Gradeability		
4 X 4	40%	40%
Maximum slope	5°	5°
Hydraulic tank	184L	184L
Diesel tank	90L	90L
Tyres	33X12-20	33x12-20
Weight	7430kg	7835kg



\* Product specifications and prices are subject to change without notice or obligation. The photographs and/or drawings in this document are for illustrative purposes only.