

# We Make it Easy to Position

## Ergo Master<sup>®</sup> Manual Work Positioner



### Description

This versatile and safe work positioner enables you to move work to any suitable work position with easy up and down height adjustment, 360° rotation and tilt.

### Application

Ergo Master is ideal for secure positioning of any object for any project, no matter what size or shape. This manual work positioner offers unlimited applications in any industry and is advantageous in any warehouse, shop floor or work area.

### Ergonomic Benefit

- Eliminate employee strain, fatigue and injury.
- Create a safer and more productive work environment.

### Standard Features

- Designed and built in the USA for the most robust and heavy-duty applications.
- Offers full flexibility to move work to any work positions.
- Adaptable to any work fixtures.
- Solid aluminum construction with stainless steel ball.
- Available in bench (2 axis) or floor pillar mount (3 axis) configurations.
- Four standard load classes: 20, 70, 140 and 180 kg. (2-axis only).
- Provides a positive, safe and secure position lock instantaneously in any desired work position.
- Operator adjustable friction resistance assures a smooth and balanced transition between positions.
- One foot pedal controls the height position adjustment while the other foot pedal provides release for easy tilt and rotation.

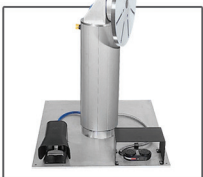
### Options

- Slot in top block for 90° tilt.
- Protective dust and weld covers.
- Turn-table with 8 slots.
- Welding ground lug.
- Base castors.



Floor Mount  
w/optional 90° tilt

### Other Ergo Masters



Vertical Turn-table



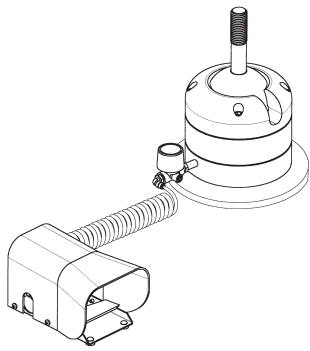
Bench Mount

### Application Examples



# The Right Solution for Every Shop Floor

## Technical Information

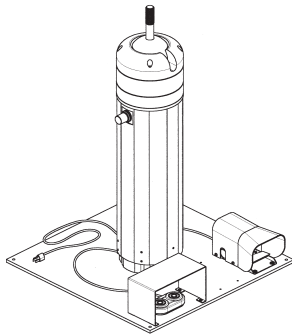


### 2-Axis (Tilt & Rotation) Bench Mount ERGO MASTER

Model No.	Max. Dynamic Capacity (kg)	Cylinder Diameter (mm)	Cylinder Height (mm)	Overall Height w/Shaft (mm)	Shaft Thread Size	MOUNTING* Hole Pattern
EM50-F**	20	100	95	145	1/2" - 13	(4) - 7mm dia. holes on a 115mm dia. Bolt Circle
EM50-V**	20	100	95	210	1/2" - 13	(4) - 7mm dia. holes on a 115mm dia. Bolt Circle
EM150	70	165	155	285	1" - 8	(4) - 7mm dia. holes on a 220mm dia. Bolt Circle
EM300	140	200	175	330	1" - 8	(4) - 7mm dia. holes on a 220mm dia. Bolt Circle

\* For fastening, use bolts with minimum hardness grade of at least 8.8. Screw in at least 25mm deep.

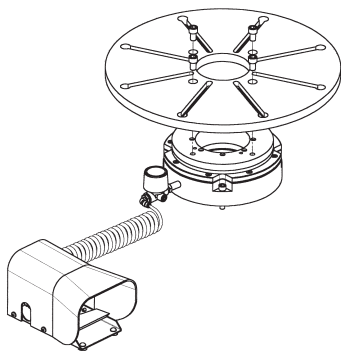
\*\* F indicates Fixture plate mounted on top (mounting hole pattern (4) - 7mm dia. holes on a 60mm dia. Bolt Circle)  
 \*\* V indicates Vice mounted on top.



### 3-Axis (Up/Down, Tilt & Rotation) Floor Mount ERGO MASTER

Model No.	Max. Dynamic Capacity (kg)	Retracted Height (mm)	Maximum Height (mm)	Stroke (mm)	Pillar Sections	Lift Speed (mm/sec)	Pillar Voltage (V)	Pillar Amperage (A)	Pillar Duty Cycle (at 20°C)
EM153	70	780	1010	300	2	30	240/50Hz	5.0	Intermittent Service 20% Duty Cycle
EM154	70	880	1290	405	2	30	240/50Hz	5.0	
EM303	140	825	1130	300	2	30	240/50Hz	5.0	
EM304	140	925	1330	405	2	30	240/50Hz	5.0	

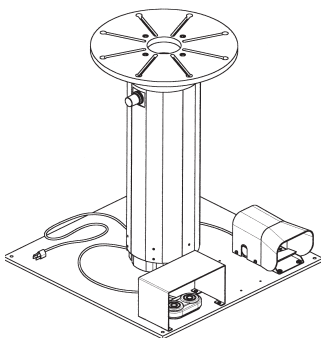
\* For fastening to floor, use bolts with minimum hardness grade of at least 8.8. Screw in at least 25mm deep.



### 1-Axis (Rotation) Bench Mount ERGO MASTER

Model No.	Max. Dynamic Capacity (kg)	Height (mm)	Turntable Diameter (mm)	Turntable Thickness (mm)	Turntable Slot Size	Bolt Head Opening (mm)	MOUNTING* Hole Pattern
EM400	180	95	395	16	8 - 10mm wide 45° apart	17	(4) - 10 mm dia. holes on a 195mm Bolt Circle

\* For fastening, use bolts with minimum hardness grade of at least 8.8. Screw in at least 25mm deep.

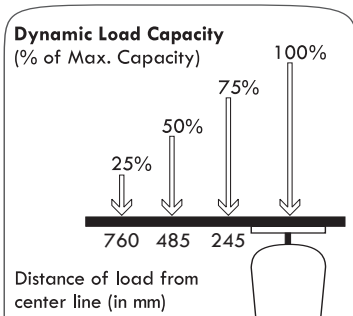


### 2-Axis (Up/Down & Rotation) Floor Mount ERGO MASTER

Model No.	Max. Dynamic Capacity (kg)	Retracted Height (mm)	Maximum Height (mm)	Stroke (mm)	Pillar Sections	Lift Speed (mm/sec)	Pillar Voltage (V)	Pillar Amperage (A)	Pillar Duty Cycle (at 20°C)
EM403	180	585	890	300	2	30	240/50Hz	5.0	Intermittent Service 20% Duty Cycle
EM404	180	685	1010	405	2	30	240/50Hz	5.0	

For fastening to floor, use bolts with minimum hardness grade of at least 8.8. Screw in at least 25mm deep.

NOTE: All models operate from standard shop air at minimum 80 psi.



# MATERIALS

## Handling

PTY LTD *Working with ease...*

Our website: [www.materialshandling.com.au](http://www.materialshandling.com.au)

Phone us: 1300 25 84 07 Fax us: 1800 68 68 96

Email us: [sales@materialshandling.com.au](mailto:sales@materialshandling.com.au)

## Australia Wide Sales and Service